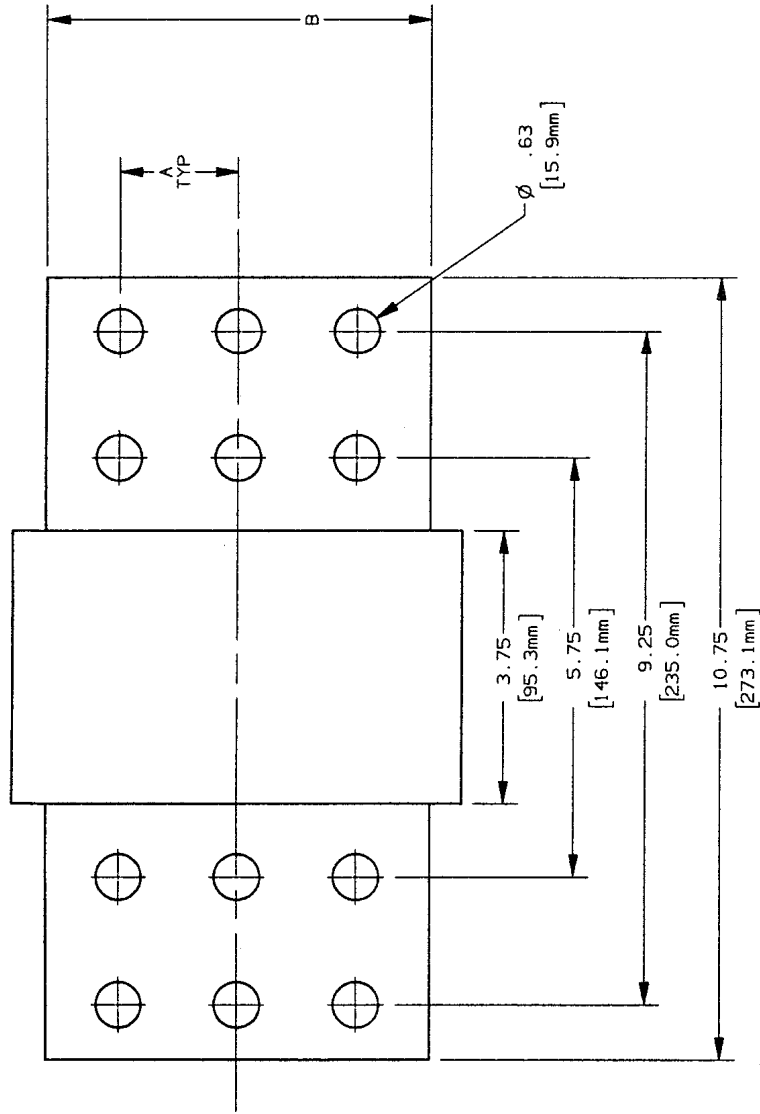
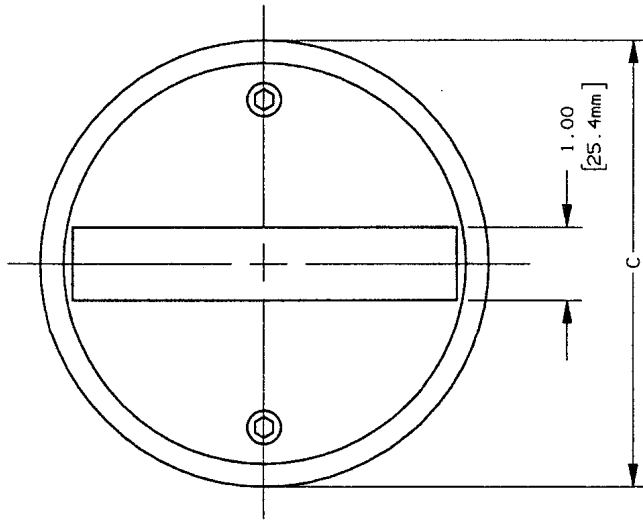


CONTROL No : 470

REV	DATE	ECO	DESCRIPTION	BY	CHK	APP
B	4/5/04	NA	REDRAWN-WAS ON 14141 REV A DIM C WAS 6.25, 7.125	ELO	NA	NA



AMPERE RATING	CATALOG NO.	A	B	C
4001-5000	A4BY (AMP. RATING) A4BX (AMP. RATING)	1.63 41.28	5.25 133.35	6.13 155.58
6000	A4BY (AMP. RATING) A4BX (AMP. RATING)	1.63 41.28	5.75 146.05	7.00 177.80

**Ferraz Shawmut**

FERRAZ SHAWMUT INC.  
374 MERRIMAC STREET  
NEWBURYPORT, MA 01950

PRODUCT MANAGER

DESIGN ENGINEER

SIGN: *[Signature]*  
DATE: 4/14/04

SIGN: *[Signature]*  
DATE: 4/13/04

A4BY/X(4001-6000)  
FORM 480  
4001-6000A 600VAC, 250VDC

OUTLINE DIMENSIONS  
NOT TO BE USED FOR PRODUCTION

14141