

MATERIAL: SANTOPRENE
 CATALOG NUMBER: SEE CHART

TOLERANCES-UNLESS OTHERWISE SPECIFIED
 2 PL. DEC. ±.015 TRUE C.L. ±.015
 3 PL. DEC. ±.015 ANGLES ±1

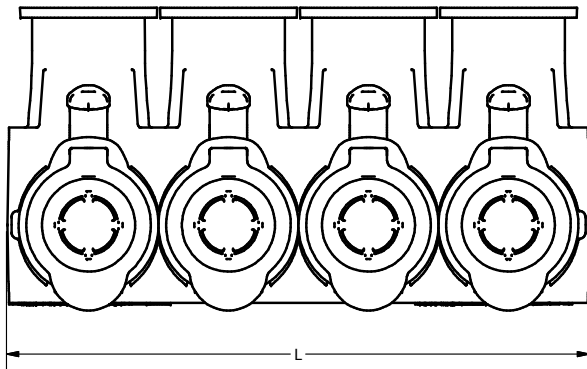
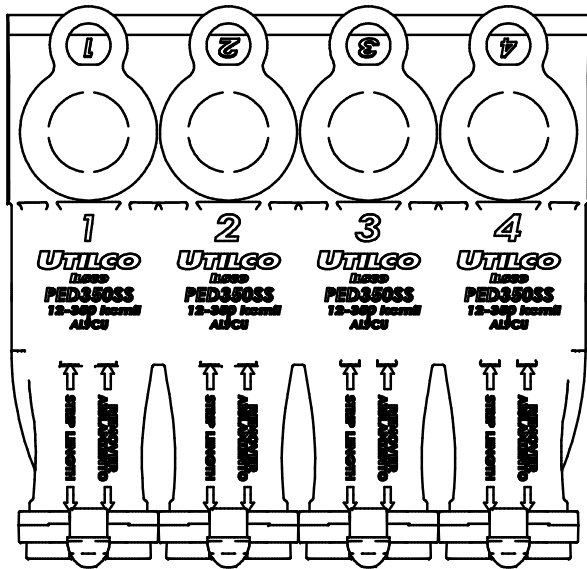
DWG. NO.
M7000
 SHEET 2 OF 4



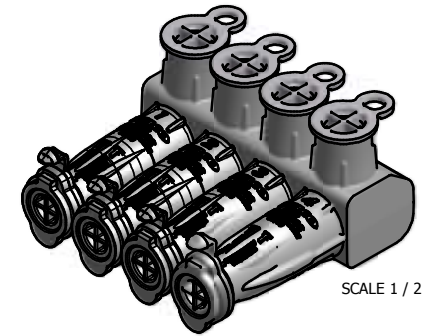
DRAWN BY: CLH
 DATE: 8/20/2013

SCALE: 1:1
 SIZE: B

REV.	DESCRIPTION
D	



UTILCO CATALOG NUMBER	ILSCO CATALOG NUMBER	L	OUTLETS
PED2-350SS (DB)	PED2-350SS-DB	2.430	2
PED3-350SS (DB)	PED3-350SS-DB	3.555	3
PED4-350SS (DB)	PED4-350SS-DB	4.680	4
PED5-350SS (DB)	PED5-350SS-DB	5.805	5
PED6-350SS (DB)	PED6-350SS-DB	6.930	6
PED8-350SS (DB)	PED8-350SS-DB	9.180	8
PED9-350SS (DB)	PED9-350SS-DB	10.305	9
PED10-350SS (DB)	PED10-350SS-DB	11.430	10



SCALE 1 / 2

