

IMPORTANT SAFETY INSTRUCTIONS

- Be sure the electricity to the system you are working on is turned off; either the fuse removed or the circuit breaker set at off.
- Use of other manufacturers components will void warranty, listing and create a potential safety hazard.
- **RISK OF FIRE:** Exceeding maximum wattage may result in overheating conductors. Read instructions carefully. If you are unclear as to how to proceed consult a qualified electrician.
- Read and understand these instructions before installing fixture.
- This fixture is intended for installation in accordance with the National Electrical Code and local regulations. To assure full compliance with local codes and regulations, check with your local electrical inspector before installation. To prevent electrical shock, turn off electricity at fuse box before proceeding.
- Retain these instructions for maintenance reference.
- **WARNING: RISK OF ELECTRIC SHOCK** – Install all luminaires 10' (3.05M) or more from a pool, spa, or fountain.
- The main low voltage cable is intended for shallow burial—less than 6" (152mm).
- When additional lengths of main low voltage cable are necessary, order Ambiance® landscape outdoor cable. Please visit SeaGullLighting.com to find a local distributor.
- Save these instructions.

INSTALLATION

STEP 1:

Install water tight connector / strain relief (not supplied) to housing.

STEP 2:

Feed low voltage power supply into housing.

STEP 3:

Connect fixture wires to low voltage supply wires using a silicone filled landscape wire nut or other listed landscape wire connector.

STEP 4:

Install housing into mounting surface, secure.

STEP 5:

Install lamp.

STEP 6:

Install trim with screws.

NOTE: Be sure that all connections and fittings are tightly secured and no water gets in.

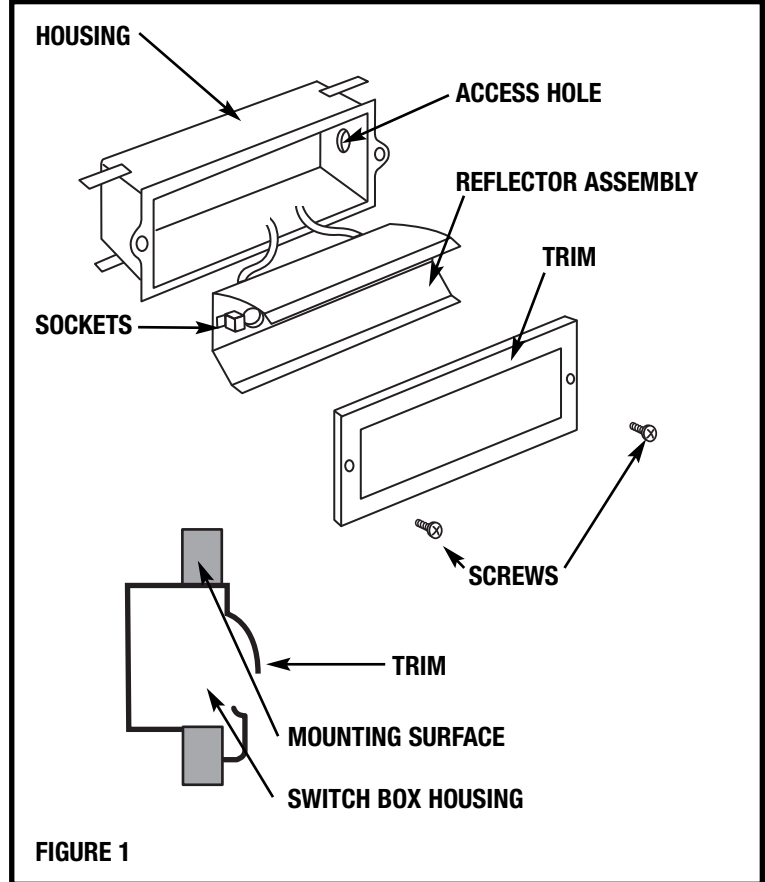


FIGURE 1

