



Encapsulated Core & Coil (73B)

ENCAPSULATED CORE & COIL HID MH BAL 175W
M57 QUAD ENCAP

Where quiet performance is required, the standard open core and coil ballast is encapsulated (potted) in a cube-shaped steel can utilizing Class H (180°C) polyester compound.

Product data

• General Characteristics

Lamp Type	175/150W MH
Number of Lamps	1 piece
Line Voltage	120/208/240/277 V
Input Current (Operating)	1.8/1.04/0.9/0.8 A
Line Frequency	60 Hz
Circuit Type	CWA
Ballast Type	Magnetic HID
Base Model	73B5590
Housing	Encap
Housing Dimensions	4.6" x 4.4" x 3.6"
Housing Material	Metal
Suitable for Outdoor use?	Yes
Ignitor Catalog Number	NA
Ignitor Temp Rating	NA
Capacitor value [µF]	10 MFD
Capacitor Catalog Number	7C100M40R
Capacitor Requirements	400V
Capacitor Temp Rating	105°C
Capacitor Dia/Oval Dim	1.45 in
Capacitor Height	3.75 in
Family Name	Encapsulated Core & Coil

• Operating Characteristics

Automatic restart	No
Input Voltage at Lamp Dropout	60/104/120/138 V
Nominal Open Circuit Voltage	305 V

Inp. Current (Open Circuit)	1.8/1.04/0.9/0.8 A
Input Current (Starting)	1.3/0.75/0.65/0.55 A
Input Current Short Circuit	0.8-1.2/0.45-0.7/0.4-0.6/0.3-0.5 A
Secondary ShortCircuit Current	1.5-1.9 A
Input Power Gear Constant wattage deviation	210 W 10%
Ballast factor	1 -
Power Factor	0.90
Sound Rating	A

• Wiring Characteristics

Wire Striplength	0.5 mm
Wire Length by Color	12"
Wire Type	Stranded
Allowed Wiring Config(Remote)	Yes
Max Dist. Ball to Lamp(Remote)	Determined by AWG used
Recommended Fuse	5/3/3/2 A

• System Chars on driver level

Rated Lamp Watts	175/150W
------------------	----------

• Product Dimensions

Length A1	6 in
Length A2	5.25 in
Length A3	4.6 in
Width B1	3.6 in

PHILIPS

Encapsulated Core & Coil (73B)

Height C1	4.4 in
Fixing Hole Diameter D1	0.25 in
Width B2	2 in

• Approval & Application Chars

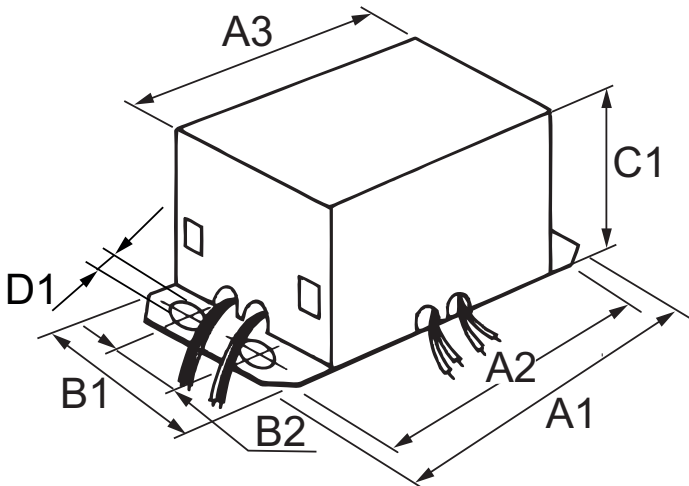
Approbation Marks	ULR, CSA, RoHS
CE marking	No
VDE certificate	No
UL Listed	No
CSA certificate	Yes
CCC certificate	No
China Quality Certificate	No
Temperature marking	C/D/D/D
CEC Listing	No
cUL certificate	No
EISA	No
ETL Certificate	No
FIDE Certificate	No
NOM certificate	No
RoHS Compliant	Yes

SASO Certificate	No
UL Recognized	Yes
ANSI Code	M57/M107
HiPot Test (1 minute)	2000 V
HiPot Test (2 seconds)	25000 V
Open Circ Voltage Test (Volts)	275-335 V
UL Insulation Class	H(180°C)
UL Temperature Code	1029D

• Product Data

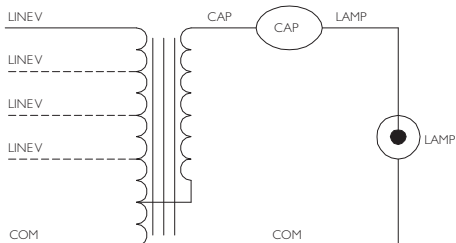
Product number	73B5590500D
Full product name	MH BAL 175W M57 QUAD ENCAP
Short product name	MH BAL 175W M57 QUAD ENCAP
Pieces per Sku	1
Skus/Case	4
Bar code on pack	781087100448
Bar code on case	50781087100443
Logistics code(s)	913700542909
eop_net_weight_pp	4.605 kg

Dimensional drawing



ENCAPSULATED CORE & COIL HID MH BAL 175W M57 QUAD ENCAP

Product	A1 (Norm)	A2 (Norm)	A3 (Norm)	B1 (Norm)	B2 (Norm)	C1 (Norm)	D1 (Norm)
MH BAL 175W M57 QUAD ENCAP	6	5.25	4.6	3.6	2	4.4	0.25





© 2014 Koninklijke Philips N.V. (Royal Philips)
All rights reserved.

Specifications are subject to change without notice. Trademarks are the property of Koninklijke Philips N.V. (Royal Philips) or their respective owners.

www.philips.com/lighting

2014, August 30
data subject to change