



Encapsulated Core & Coil (73B)

ENCAPSULATED CORE & COIL HID MH BAL 400W M59/H33 QUAD ENCAP

Where quiet performance is required, the standard open core and coil ballast is encapsulated (potted) in a cube-shaped steel can utilizing Class H (180°C) polyester compound.

Product data

• General Characteristics

Lamp Type	400W MH
Number of Lamps	1 piece
Line Voltage	120/208/240/277 V
Input Current (Operating)	4/2.3/2/1.75 A
Line Frequency	60 Hz
Circuit Type	CWA
Ballast Type	Magnetic HID
Base Model	73B6091A
Housing	Encap
Housing Dimensions	5.4" x 5.0" x 4.3"
Housing Material	Metal
Suitable for Outdoor use?	Yes
Ignitor Catalog Number	NA
Ignitor Temp Rating	NA
Capacitor value [µF]	24 MFD
Capacitor Catalog Number	7C240P40R
Capacitor Requirements	400V
Capacitor Temp Rating	105°C
Capacitor Dia/Oval Dim	1.75 in
Capacitor Height	4.79999999 in
Family Name	Encapsulated Core & Coil

• Operating Characteristics

Automatic restart	No
Input Voltage at Lamp Dropout	50/85/100/120 V
Nominal Open Circuit Voltage	305 V

Inp. Current (Open Circuit)	3/1.8/1.5/1.3 A
Input Current (Starting)	3.25/1.9/1.65/1.45 A
Input Current Short Circuit	2.55-3.8/1.45-2.2/1.3-1.9/1.1-1.65 A
Secondary ShortCircuit Current	3.4-4.2 A
Input Power Gear Constant wattage deviation	455 W 10%
Ballast factor	1 -
Power Factor	0.90
Sound Rating	B

• Wiring Characteristics

Wire Striplength	0.5 mm
Wire Length by Color	12"
Wire Type	Stranded
Allowed Wiring Config(Remote)	Yes
Max Dist. Ball to Lamp(Remote)	Determined by AWG used
Recommended Fuse	10/7/5/5 A

• System Chars on driver level

Rated Lamp Watts	400W
------------------	------

• Product Dimensions

Length A1	6.75 in
Length A2	6 in
Length A3	5.4 in
Width B1	4.3 in

PHILIPS

Encapsulated Core & Coil (73B)

Height C1 5 in
 Fixing Hole Diameter D1 0.25 in
 Width B2 2 in

UL Recognized Yes
 ANSI Code M59
 HiPot Test (1 minute) 2000 V
 HiPot Test (2 seconds) 25000 V
 Open Circ Voltage Test (Volts) 275-335 V
 UL Insulation Class H(180°C)
 UL Temperature Code 1029E

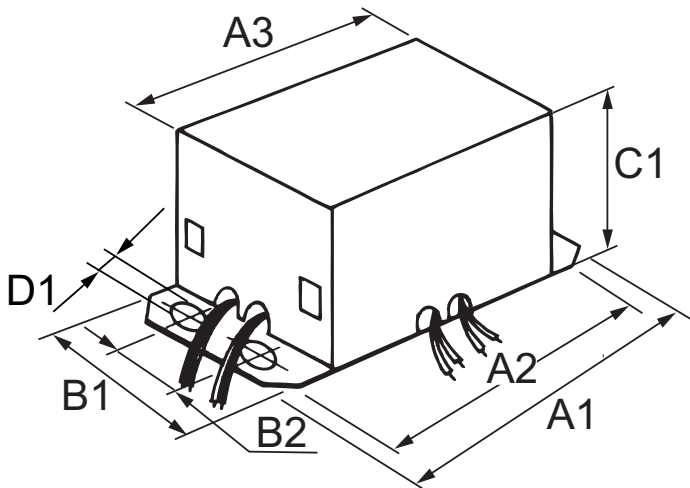
• **Approval & Application Chars**

Approbation Marks ULR, CSA, RoHS
 CE marking No
 VDE certificate No
 UL Listed No
 CSA certificate Yes
 CCC certificate No
 Chia Quality Certificate No
 Temperature marking D/E/D/E
 CEC Listing No
 cUL certificate No
 EISA No
 ETL Certificate No
 FIDE Certificate No
 NOM certificate No
 RoHS Compliant Yes
 SASO Certificate No

• **Product Data**

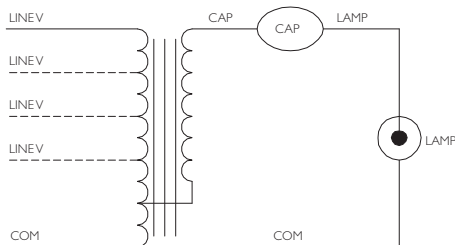
Product number 73B6091500DA
 Full product name MH BAL 400W M59/H33 QUAD ENCAP
 Short product name MH BAL 400W M59/H33 QUAD ENCAP
 Pieces per Sku 1
 Skus/Case 3
 Bar code on pack 781087055212
 Bar code on case 50781087055217
 Logistics code(s) 913700543410
 eop_net_weight_pp 7.072 kg

Dimensional drawing



ENCAPSULATED CORE & COIL HID MH BAL 400W M59/H33 QUAD ENCAP

Product	A1 (Norm)	A2 (Norm)	A3 (Norm)	B1 (Norm)	B2 (Norm)	C1 (Norm)	D1 (Norm)
MH BAL 400W M59/H33 QUAD ENCAP	6.75	6	5.4	4.3	2	5	0.25





© 2014 Koninklijke Philips N.V. (Royal Philips)
All rights reserved.

Specifications are subject to change without notice. Trademarks are the property of Koninklijke Philips N.V. (Royal Philips) or their respective owners.

www.philips.com/lighting

2014, August 30
data subject to change