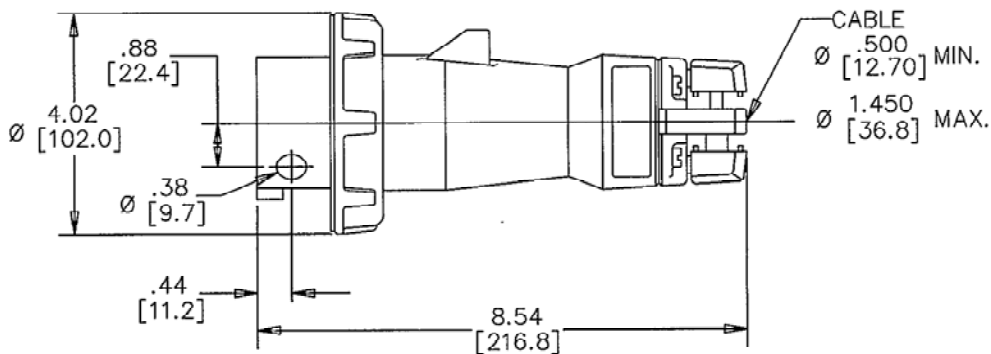
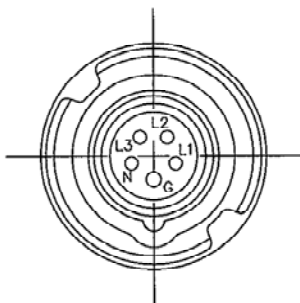


M-6087 7



HBL530P6V02 SHOWN

LIST OF PARTS		
DESCRIPTION	MATERIAL	FINISH
HOUSING	SEE TABLE	
GASKET	NEOPRENE	
LOCK RING	POLYESTER	
INTERIOR	THERMOSET	
PINS	BRASS	
TERMINAL SCREWS	ST. STEEL	
GLAND CAP	POLYESTER	
GLANDS	NEOPRENE	
CLAMPS	POLYESTER	
CLAMP NUTS	BRASS	NICKEL
ASSEMBLY SCREWS	ST. STEEL	

DIMENSION SHEET FOR CAT. NO. SEE TABLE

REV	DESCRIPTION	BY	DATE
7	ADDED PIN CONFIGURATION AND IDENTIFICATION LETTERS TO FRONT VIEW. ADDED "HBL530P6V02 SHOWN" TO VIEW PER DCN 19157 DDL.	PJB PJB	10/18/12
6	ADDED CAT. # HBL530P6V02 AND SPECS. TO TABLE. TITLE: 30A & 32A WAS 16A & 20A. PER DCN 18699 DDL.	CAC	04/24/12
5	REDRAWN ON CAD WITH CHANGES. ADDED "HOUSING" AND "COMMENTS" COLUMNS TO TABLE, HOLE AND DIM.S TO VIEW, AND NOTES 1 & 2. IN TABLE, REMOVED CAT. NO. HBL520P2W AND "A" WAS "AMP" IN LIST OF PARTS, "SEE TABLE" WAS "NYLON" AND "NEOPRENE" WAS "RUBBER" IN (2) PLACES; "CABLE Ø.500[12.7] MIN./Ø1.450 [36.8] MAX" WAS "CABLE DIA. .700/17.78MM MIN. 1.350/34.29 MAX". "Ø" WAS "DIA." AND "[XX.X]" WAS "MM". SUPERSEDES DRAWING DATED 5/8/80 PER DCN #12944. JMN	DJP	6/27/06

REPAIRABLE NON-REPAIRABLE

CAT. NO.	CONFIGURATION	RATING	COMMENTS	HOUSING		CAT. NO.	CONFIGURATION	RATING	COMMENTS	HOUSING	
				MATERIAL	COLOR					MATERIAL	COLOR
						HBL530P7W		30A 3ØY 277/480 VAC		NYLON	RED
						HBL530P9W		30A 3ØY 120/208 VAC		NYLON	BLUE
HBL530P5W		30A 3ØY 347/600 VAC								NYLON	BLACK
HBL532P6W		32A 220/380VAC 240/415 VAC								NYLON	RED
HBL530P6V02		30A 220/380VAC 240/415 VAC								VALOX	RED

NOTES (UNLESS OTHERWISE SPECIFIED)
 1) TOLERANCES ARE: DECIMALS ± .03
 ANGLES ± 2'
 2) DIMENSIONS ARE: INCHES
 [MILLIMETERS]

SYM	REVISIONS	APP	DATE

THE DESIGN AND DIMENSIONS OF THE PRODUCT SHOWN ON THIS DRAWING ARE SUBJECT TO CHANGE WITHOUT NOTICE

TITLE
 30A & 32A 4 POLE 5 WIRE
 PIN AND SLEEVE PLUGS

TOLERANCES UNLESS OTHERWISE SPECIFIED	WIRING DEVICE-KELLEMS HUBBELL INCORPORATED SHELTON, CT			
.XX ± .01	DR. BY	MJK	APP. BY	DJP
.XXX ± .005	TR. BY	JMN	SCALE	NONE
ANGLES ± 2'	CHK. BY	DJP	DATE	6/27/06

M-6087

7