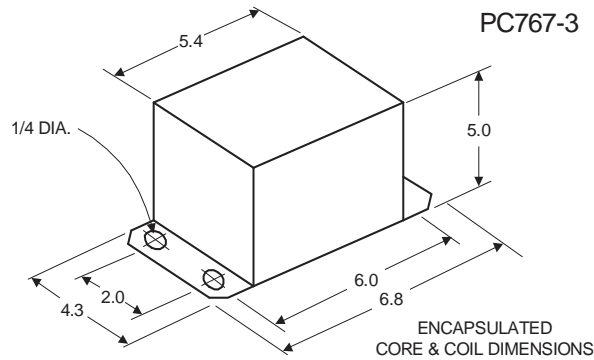


PHILIPS ADVANCE

High Pressure Sodium Lamp Ballast

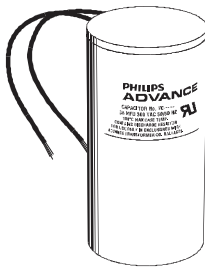
Catalog Number 73B8291A
For 250W S50
60 Hz CWA
Status: Active

DIMENSIONS AND DATA



	120	208	240	277
INPUT VOLTS				
CIRCUIT TYPE	CWA			
POWER FACTOR (min)	90%			
REGULATION	±10%			
Line Volts	WITHIN TRAPEZOID			
Lamp Watts				
LINE CURRENT (Amps)				
Operating.....	2.50	1.47	1.25	1.09
Open Circuit.....	1.53	0.95	0.77	0.63
Starting.....	1.61	0.89	0.80	0.68
UL TEMPERATURE RATINGS				
Insulation Class	H(180°C)			
Coil Temperature Code	1029			
MIN. AMBIENT STARTING TEMP.	B	B	B	B
NOM. OPEN CIRCUIT VOLTAGE	187			
INPUT VOLTAGE AT LAMP DROPOUT.....	82	139	158	184
INPUT WATTS	295			
RECOMMENDED FUSE (Amps).....	7	4	4	3
CORE and COIL				
Dimension (A)				
Dimension (B)				
Weight (lbs.)	15			
Lead Lengths	12"			
CAPACITOR REQUIREMENT				
Microfarads	35.0			
Volts (min.)	240			
Fault Current Withstand (amps)				
60 Hz TEST PROCEDURES (Refer to Advance Test Procedure for HID Ballasts - Form 1270)				
High Potential Test (Volts)				
1 minute	2000			
2 seconds	2500			
Open Circuit Voltage Test (Volts)	170-205			
Short-Circuit Current Test (Amps)				
Secondary Current	3.65-4.45			
Input Current.....	1.16-1.74	0.64-0.96	0.56-0.85	0.49-0.74

Capacitor: 7C350P24RA



Capacitance: 35
Dia/Oval Dim: 1.65
Height: 3.7
Temp Rating: 105°C



Wiring Diagram:

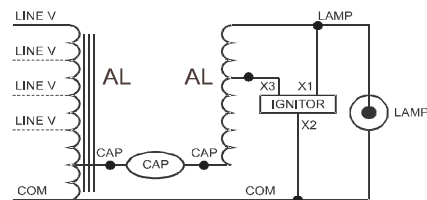
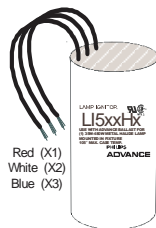


Fig. M8

Ordering Information

Order Suffix	Description
--------------	-------------

Ignitor: LI501-H4



Ballast to Lamp Distance (BTL) = 2 feet
Temp Rating: 105°C

Data is based upon tests performed by Philips Lighting Electronic N.A. in a controlled environment and representative of relative performance. Actual performance can vary depending on operating conditions. Specifications are subject to change without notice.

Philips Lighting Electronic N.A.

10275 West Higgins Road · Rosemont, IL 60018 · Tel:800-322-2086 Fax:888-432-1882
Customer Support/ Technical Service:800-372-3331 · OEM Support: 866-915-5886

11/18/13