



# Postline (74P)

## POSTLINE HID HPS BAL 50W S68 120V POSTLINE

Lantern-type, post-top fixtures mounted on slender poles often require ballasts which fit in the poles. Postline ballasts include a special, elongated core and coil ballast encased and potted in a high temperature resin (Class H, 180°C max.) in cylindrical housings of a diameter to accommodate being placed within a 3" or 4" diameter pole.

### Product data

#### • General Characteristics

Lamp Type	HPS
Number of Lamps	1 piece
Line Voltage	120 V
Input Current (Operating)	0.55 A
Line Frequency	60 Hz
Circuit Type	R-HPF
Ballast Type	Magnetic HID
Base Model	74P7803
Housing	74P
Housing Dimensions	12" x 2.55" x 2.55"
Housing Material	Metal
Suitable for Outdoor use?	Yes
Ignitor Catalog Number	Inside Can
Capacitor Catalog Number	Inside Can
Family Name	Postline

#### • Operating Characteristics

Automatic restart	No
Input Voltage at Lamp Dropout	98 V
Nominal Open Circuit Voltage	120 V
Inp. Current (Open Circuit)	0.95 A
Input Current (Starting)	1.3 A
Input Current Short Circuit	0.7-1.1 A
Secondary Short Circuit Current	1.5-2.30 A
Input Power Gear	61 W

Constant wattage deviation	Within Trapezoid
Ballast factor	1 -
Power Factor	0.88

#### • Wiring Characteristics

Wire Striplength	0.50 mm
Wire Length by Color	12"
Wire Type	Stranded
Allowed Wiring Config(Remote)	Yes
Max Dist. Ball to Lamp(Remote)	10'
Recommended Fuse	4 A

#### • System Chars on driver level

Rated Lamp Watts	50W
------------------	-----

#### • Product Dimensions

Height C1	12 in
Width B3	2.55 in

#### • Approval & Application Chars

Approbation Marks	ULR, CSA, RoHS
CE marking	No
VDE certificate	No
UL Listed	No
CSA certificate	Yes
CCC certificate	No
Chia Quality Certificate	No

**PHILIPS**

## Postline (74P)

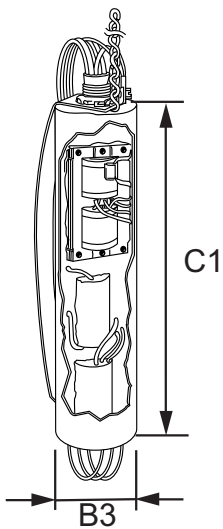
Temperature marking	A
CEC Listing	No
cUL certificate	No
EISA	No
ETL Certificate	No
FIDE Certificate	No
NOM certificate	No
RoHS Compliant	Yes
SASO Certificate	No
UL Recognized	Yes
ANSI Code	S68
HiPot Test (1 minute)	2000 V
HiPot Test (2 seconds)	2500 V
Open Circ Voltage Test (Volts)	108-132 V

UL Insulation Class	H(180°C)
UL Temperature Code	1029A

### • Product Data

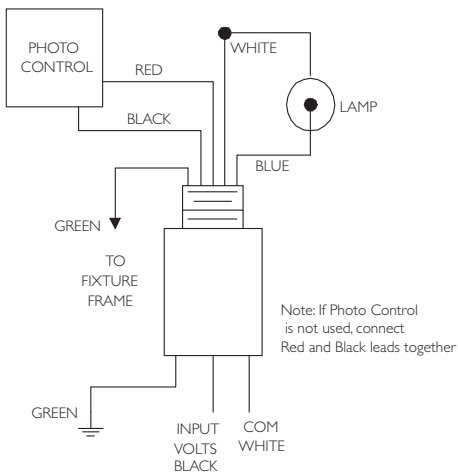
Product number	74P7803011P
Full product name	HPS BAL 50W S68 120V POSTLINE
Short product name	HPS BAL 50W S68 120V POSTLINE
Pieces per Sku	1
Skus/Case	1
Bar code on pack	781087478035
Bar code on case	30781087478036
Logistics code(s)	913710569301
eop_net_weight_pp	2.300 kg

### Dimensional drawing



### POSTLINE HID HPS BAL 50W S68 120V POSTLINE

Product	B3 (Norm)	C1 (Norm)
HPS BAL 50W S68 120V POSTLINE	2.55	12





© 2014 Koninklijke Philips N.V. (Royal Philips)  
All rights reserved.

Specifications are subject to change without notice. Trademarks are the property of Koninklijke Philips N.V. (Royal Philips) or their respective owners.

[www.philips.com/lighting](http://www.philips.com/lighting)

2014, February 1  
data subject to change