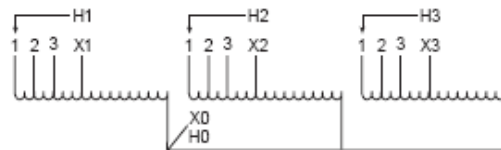
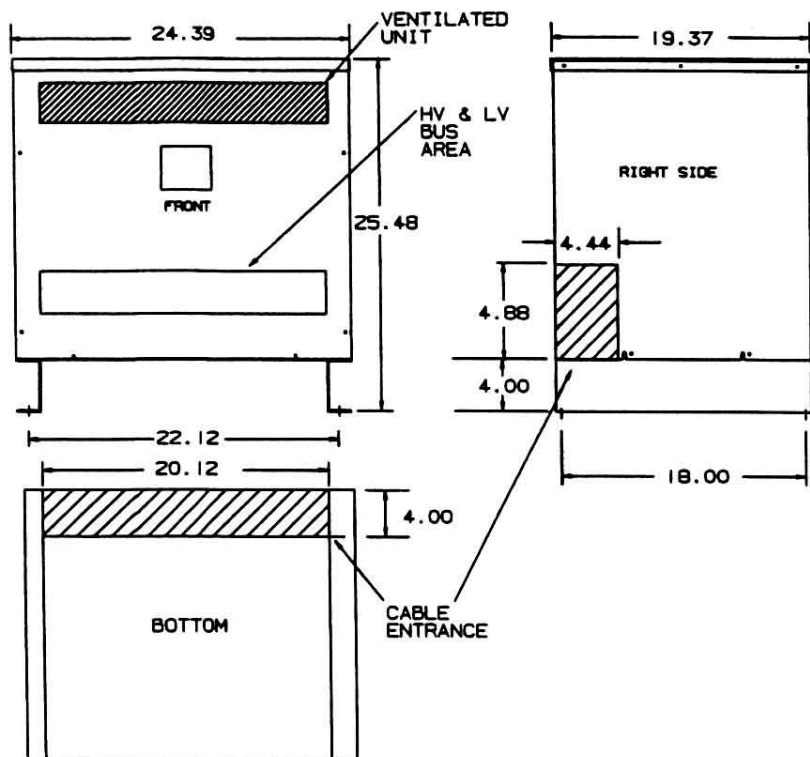


Revisions



Primary Volts	Alt Rating	Connect Primary Lines To	Inter-Connect	Connect Secondary Lines To
600	480	H1, H2, H3	1	
570	456	H1, H2, H3	2	
540	432	H1, H2, H3	3	
Secondary Volts				
480	380			X1, X2, X3
277 1 phase	220 1 phase			X1 to X0 X2 to X0 X3 to X0



KVA	CATALOG NUMBER	VOLTAGE		WEATHER SHIELD	WEIGHT	PHASE	FREQ.
		HIGH	LOW				
150/120	T-2A-52713-1	600 / 480	480 / 380	WS-A-1	350 Lbs	3 ϕ	60 Hz

TYPICAL PERFORMANCE DATA

Winding Rise	150°C	Regulation @ 100% PF		Impedance		Typical Efficiency	
Insulation	220°C	NEMA Standard		Windings		No Load Losses	
Sound Level	50 dB			AL		Total load Losses	

Type No.

DATE: August 3, 2010

					A	PRINTS TO	CONTROL 7	A
--	--	--	--	--	----------	-----------	------------------	----------