

Adapter EMT Steel Comp. to FMC (flex)

Size Range: 1/2" - 4"

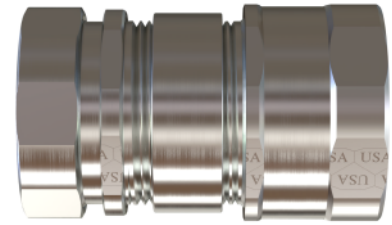
Product Series: FLXEMT EMT Compression* to Greenfield (FMC)

Material: Solid Alloy Steel Construction

Zinc Plated with Chromate Finish

Made in the USA

Industrial SPEC-grade

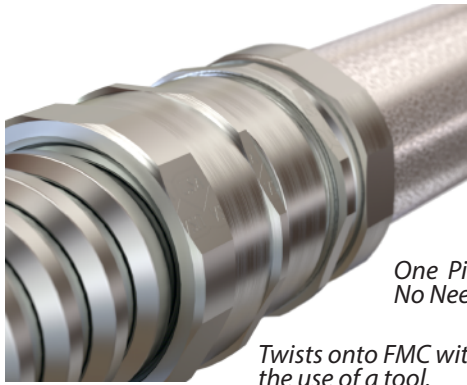


SPEC flex
Connector System

Exceeds UL Pullout Requirements by 300%
Unlike Diecast Product Cannot Crack or Deform

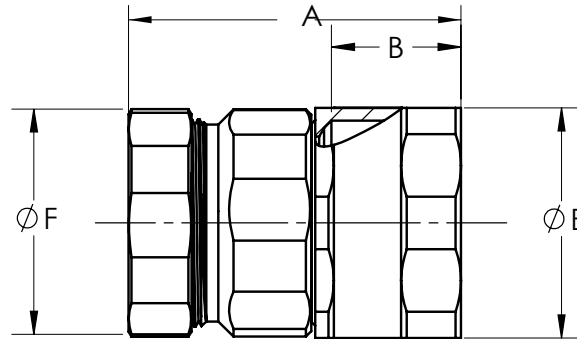
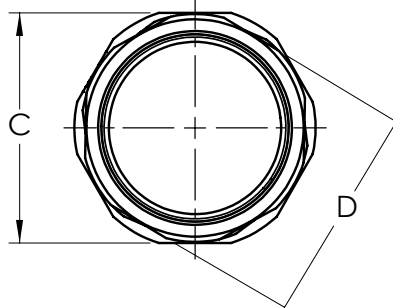
Converts EMT Conduit to FMC flex Conduit
Compression Configuration

Precision Machined from Solid Alloy Bar Stock
Machined Cut Threads
Full Compression EZ Torque Nuts



One Piece Construction
No Need to Take Adapter Apart to Install

Twists onto FMC without
the use of a tool.



Cat #	TRADE SIZE	A LENGTH	B DEPTH	C HEX	D HEX	E DIAMETER	F DIAMETER
FLXEMT50	1/2"	1-15/16"	11/16"	1-1/16"	15/16"	1-1/8"	1"
FLXEMT75	3/4"	1-15/16"	11/16"	1-1/4"	1-3/16"	1-3/8"	1-1/4"
FLXEMT100	1"	2-1/4"	15/16"	1-1/2"	1-7/16"	1-5/8"	1-1/2"
FLXEMT125	1-1/4"	2-7/16"	1-1/16"	1-13/16"	1-13/16"	1-15/16"	1-7/8"
FLXEMT150	1-1/2"	2-13/16"	1-3/16"	2-1/16"	2-1/16"	2-3/16"	2-3/16"
FLXEMT200	2"	2-13/16"	1-3/16"	2-9/16"	2-9/16"	2-11/16"	2-7/8"
FLXERC250	2-1/2"	3-1/2"	1-5/16"	3-5/16"	3-7/16"	3-7/16"	3-7/16"
FLXERC300	3"	3-9/16"	1-1/4"	3-15/16"	3-7/8"	4"	4"
FLXERC350	3-1/2"	3-5/8"	1-5/16"	4-7/16"	4-7/16"	4-9/16"	4-9/16"
FLXERC400	4"	3-5/8"	1-5/16"	4-15/16"	4-15/16"	5-1/8"	5-1/8"

Compliances:

- Certified Made in the USA
- UL 514B
- NEMA Standard FB1
- Federal Standard A-A-50553
- UL Standards: 514B, 467
- CSA Standard: C22.2 No. 18F
- RoHS Compliant
- REACH Compliant
- CA Prop 65 Compliant
- UNSPSC 39131707



Available OPTIONS:

- * EMT Set Screw Fitting to Flex
- Rigid Conduit Adapters to Flex
- Liquid Tight Conduit Adapters to Flex

SPECflex Single Turn On Flex Connector

Note:

SPECflex connectors are designed to work and interface with UL listed, Made in USA FMC / Greenfield conduit. We cannot guarantee fit, form, or function with non-UL off-shore conduit.

Request a sample from factory to ensure capatibility.