

Form 35® Malleable Iron Unilet® Conduit Outlet Bodies

For use with Rigid Steel, Rigid Aluminum and IMC Conduit.

Applications

- Serve as pulling fittings.
- Make bends in conduit system.
- Provide openings for splicing.
- Connect and change direction of conduit runs.
- Allow connections for branch runs.
- Permit access to conductors for maintenance.

Features

- Smooth, rounded integral bushings in hubs protect conductor insulation.
- Accurately tapped, tapered threads for tight, rigid joints and excellent ground continuity.
- Form 35 malleable iron Unilets: high tensile strength and ductility. High corrosion-resistance, high impact and shock resistance.
- Exclusive built-in easy-pulling rollers in type C (1-1/4" thru 4") and type LB (1-1/4" thru 4"): eliminate damage when cable is pulled through hubs.
- Sizes with flat-back design ideal where fitting is mounted flat against surface.
- 1/2" to 3" blank covers are domed for extra wiring space.

Standard Materials

- Bodies: malleable iron
- Blank covers: malleable iron, steel or aluminum
- Cover screws: stainless steel
- Gaskets: neoprene or composition fiber

Standard Finishes

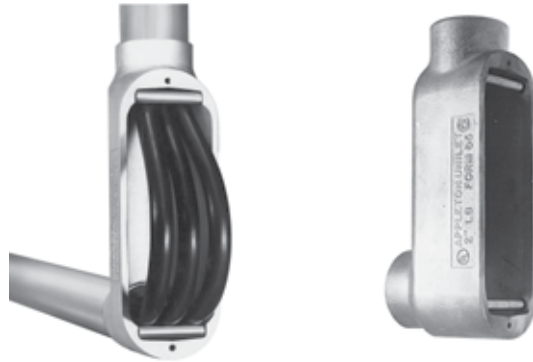
- Malleable iron bodies and covers: triple-coat — (1) zinc electroplate, (2) chromate, and (3) epoxy powder coat
- Steel covers: zinc electroplate

NEC/CEC Certifications and Compliances

- UL Standards: 514A, 514B
- UL Listed: E2527
- CSA Standard: C22.2 No. 18.3
- CSA Certified: 065183
- NEMA Standard: FB-1

Related Products

- For explosionproof conduit outlet bodies and boxes, see *Enclosures and Junction boxes*.













2" Type LB with rollers shown

Form 35® Malleable Iron Unilet® Conduit Outlet Bodies

For use with Rigid Steel, Rigid Aluminum and IMC Conduit.

Threaded Type Conduit Bodies

Hub Size (Inches)	C	E	LB	LL	LR
					
1/2	C50-M	E50-M	LB50-M	LL50-M	LR50-M
3/4	C75-M	E75-M	LB75-M	LL75-M	LR75-M
1	C100-M	E100-M	LB100-M	LL100-M	LR100-M
1-1/4	C125-M ②	E125-M	LB125-M ②	LL125-M	LR125-M
1-1/2	C150-M ②	E150-M	LB150-M ②	LL150-M	LR150-M
2	C200-M ②	—	LB200-M ②	LL200-M	LR200-M
2-1/2	C250-M ②	—	LB250-M ②	LL250-M	LR250-M
3	C300-M ②	—	LB300-M ②	LL300-M	LR300-M
3-1/2	C350-M ②	—	LB350-M ②	LL350-M	LR350-M
4	C400-M ②	—	LB400-M ②	LL400-M	LR400-M
5	—	—	LB500-M	—	—
6	—	—	LB600-M	—	—
Hub Size (Inches)	LRL ①	T	TA	TB	X

					
1/2	LRL50-M	T50-M	TA50-M	TB50-M	X50-M
3/4	LRL75-M	T75-M	TA75-M	TB75-M	X75-M
1	LRL100-M	T100-M	TA100-M	TB100-M	X100-M
1-1/4	LRL125-M	T125-M	—	TB125-M	X125-M
1-1/2	LRL150-M	T150-M	—	TB150-M	X150-M
2	LRL200-M	T200-M	—	TB200-M	X200-M
2-1/2	—	T250-M	—	—	—
3	—	T300-M	—	—	—
3-1/2	—	T350-M	—	—	—
4	—	T400-M	—	—	—

Back Style for Form 35 Unilet Conduit Body Sizes (Inches)

Unilet Body	Flat Back	Round Back	Unilet Body	Flat Back	Round Back
C, LB	1/2 – 2	2-1/2 and up	TB	1/2 – 1-1/2	1/2, 3/4, 1, 2
E	1/2 – 1-1/2	1-1/4 and up	X	1/2 – 2	1-1/4 and up
LL, LR, T	1/2 – 2	2-1/2 and up	TA	All sizes	—

① LRL Unilets have double opening and are furnished with one steel cover, assembled.

② Catalog numbers having roller feature, all others do not.







Form 35® Malleable Iron Unilet® Conduit Outlet Bodies

Covers Furnished with Stainless Steel Fastening Screws.

Fittings

NEC/CEC CONDUIT BODIES

Covers and Gaskets ①

Body Size (Inches)	Blank Stamped Steel	Blank Cast Malleable	Neoprene	Composition Fiber
	 Domed: 1/2" – 3"	 Flat: 1/2" – 2"		
	 Flat: 3-1/2" – 6"	 Domed: 2-1/2" – 4"	Tear out inner section to convert to "open type" gasket.	
1/2	K50	K50-CM	GK50-N	GK50-V
3/4	K75	K75-CM	GK75-N	GK75-V
1	K100	K100-CM	GK100-N	GK100-V
1-1/4	K125 and 150	K125 and 150-CM	GK125-150-N	GK125-150-V
1-1/2	K125 and 150	K125 and 150-CM	GK125-150-N	GK125-150-V
2	K200	K200-CM	GK200-N	GK200-V
2-1/2	K250 and 300	K250 and 300-CM	GK250-300-N	GK-250-300-V
3	K250 and 300	K250 and 300-CM	GK250-300-N	GK-250-300-V
3-1/2	K350 and 400	K350 and 400-CM	GK350-400-N	GK-350-400-V
4	K350 and 400	K350 and 400-CM	GK350-400-N	GK-350-400-V
5	K500	—	GK500-SN ②	—
6	K600	—	GK600-SN ②	—

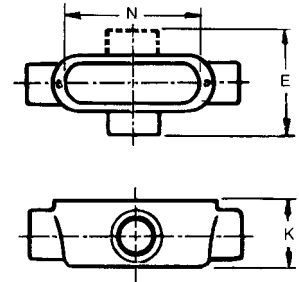
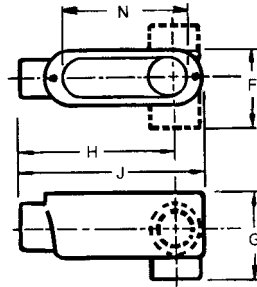
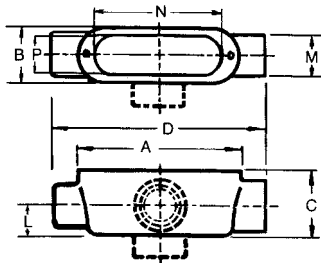
① Refer to previous page for Wiring Capacity Table.

② Not perforated.

Form 35® Malleable Iron Unilet® Conduit Outlet Bodies

Threaded Type for use with Rigid Metal Conduit and IMC; Compression Type for use with Threadless Rigid Metal Conduit.

Threaded Type Dimensions in Millimeters (Inches)



Types A, C, TA, TB

Types E, LB, LL, LR, LRL

Types T, X

Hub Size	A	B	C	D	E	F	G	H	J	K	L	M	N	P
1/2	100.1 (3.94)	33.3 (1.31)	36.6 (1.44)	136.7 (5.38)	68.3 (2.69)	50.8 (2.00)	54.1 (2.13)	100.1 (3.94)	117.6 (4.63)	44.5 (1.75)	16.0 (0.63)	30.2 (1.19)	80.3 (3.16)	25.4 (1.00)
3/4	117.6 (4.63)	39.6 (1.56)	42.9 (1.69)	153.9 (6.06)	73.2 (2.88)	55.6 (2.19)	58.7 (2.31)	112.8 (4.44)	136.7 (5.38)	50.8 (2.00)	19.1 (0.75)	35.1 (1.38)	96.0 (3.78)	31.0 (1.22)
1	136.7 (5.38)	46.0 (1.81)	49.3 (1.94)	181.1 (7.13)	85.9 (3.38)	65.0 (2.56)	68.3 (2.69)	130.3 (5.13)	158.8 (6.25)	57.2 (2.25)	23.9 (0.94)	42.9 (1.69)	115.1 (4.53)	37.3 (1.47)
1-1/4	182.6 (7.19)	63.5 (2.50)	65.0 (2.56)	233.4 (9.19)	114.3 (4.50)	88.9 (3.50)	90.4 (3.56)	179.3 (7.06)	208.0 (8.19)	65.0 (2.56)	30.2 (1.19)	50.8 (2.00)	152.4 (6.00)	50.8 (2.00)
1-1/2	182.6 (7.19)	63.5 (2.50)	69.9 (2.75)	233.4 (9.19)	114.3 (4.50)	88.9 (3.50)	95.3 (3.75)	173.0 (6.81)	208.0 (8.19)	69.9 (2.75)	35.1 (1.38)	60.5 (2.38)	152.4 (6.00)	50.8 (2.00)
2	241.3 (9.50)	79.5 (3.13)	85.9 (3.38)	295.4 (11.63)	133.4 (5.25)	106.4 (4.19)	117.6 (4.63)	227.1 (8.94)	268.2 (10.56)	85.9 (3.38)	41.4 (1.63)	74.7 (2.94)	204.7 (8.06)	65.0 (2.56)
2-1/2	311.2 (12.25)	109.5 (4.31)	98.6 (3.88)	384.3 (15.13)	—	146.1 (5.75)	133.4 (5.25)	301.8 (11.88)	347.7 (13.69)	98.6 (3.88)	46.0 (1.81)	85.9 (3.38)	270.0 (10.63)	93.7 (3.69)
3	311.2 (12.25)	109.5 (4.31)	117.6 (4.63)	384.3 (15.13)	—	146.1 (5.75)	152.4 (6.00)	293.6 (11.56)	347.7 (13.69)	117.6 (4.63)	55.6 (2.19)	104.9 (4.13)	270.0 (10.63)	93.7 (3.69)
3-1/2	378.0 (14.88)	139.7 (5.50)	131.8 (5.19)	460.5 (18.13)	—	181.1 (7.13)	173.0 (6.81)	355.6 (14.00)	419.1 (16.50)	131.8 (5.19)	63.5 (2.50)	120.7 (4.75)	333.5 (13.13)	124.0 (4.88)
4	378.0 (14.88)	139.7 (5.50)	141.2 (5.56)	460.5 (18.13)	—	181.1 (7.13)	182.6 (7.19)	349.3 (13.75)	419.1 (16.50)	141.2 (5.56)	69.9 (2.75)	130.3 (5.13)	333.5 (13.13)	124.0 (4.88)
5	463.6 (18.25)	184.2 (7.25)	177.8 (7.00)	—	—	—	228.6 (9.00)	428.8 (16.88)	514.4 (20.25)	—	85.9 (3.38)	165.1 (6.50)	412.8 (16.25)	165.1 (6.50)
6	584.2 (23.00)	219.2 (8.63)	220.7 (8.69)	—	—	—	271.5 (10.69)	534.9 (21.06)	635.0 (25.00)	—	100.1 (3.94)	192.0 (7.56)	533.4 (21.00)	198.4 (7.81)