

Enclosure Parts for TransforMore™ Transformers

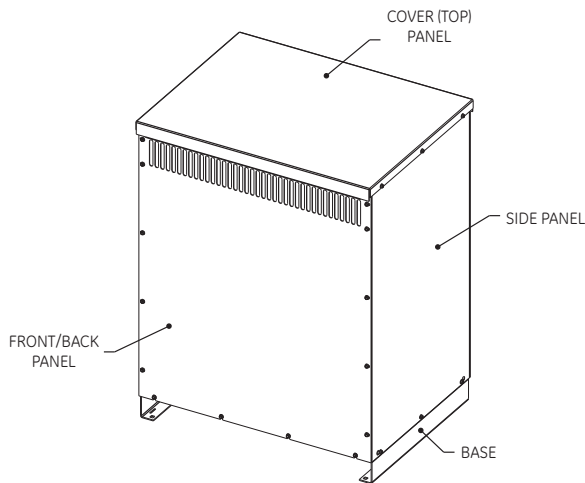
Description	Frame Size				
	FC77 (225 kVA frame size)	FC78 (300 kVA frame size)	FC79 (500 kVA frame size)	FC67 (750 kVA frame size)	FC68 (1000 kVA frame size)
Cover (Top) Panel	9T18Y4501G77	9T18Y4501G78	9T18Y4501G79	9T18Y4501G68	9T18Y4501G68
Front/Back Panel	9T18Y4502G77	9T18Y4502G78	9T18Y4502G79	9T18Y4502G68	9T18Y4502G68
Grill, Front/Back	9T18Y4503G77	9T18Y4503G78	9T18Y4503G79	9T18Y4503G68	9T18Y4503G68
Bottom Pan	9T18Y4504G77	9T18Y4504G78	9T18Y4504G79	9T18Y4504G68	9T18Y4504G68
Side Panel	9T18Y4505G77	9T18Y4505G78	9T18Y4505G79	9T18Y4505G68	9T18Y4505G68
Enclosure Kit ¹	9T18Y4506G77	9T18Y4506G78	9T18Y4506G79	9T18Y4506G68	9T18Y4506G68
Fan Assembly	9T18Y4507G77	9T18Y4507G78	9T18Y4507G79	9T18Y4507G68	9T18Y4507G68
Isomode Pads	9T18Y4508G77	9T18Y4508G78	9T18Y4508G79	9T18Y4508G68	9T18Y4508G68
Disconnect Switch	9T18Y4509G77	9T18Y4509G78	9T18Y4509G79	9T18Y4509G68	9T18Y4509G68
Rainsield Kit	9T18Y4322G77	9T18Y4322G78	9T18Y4322G79	9T18Y4322G68	9T18Y4322G68

¹Enclosure Kit Contains 2 Side Panels, 2 Front/Back panels, and Cover

Enclosure Parts for QL Transformers

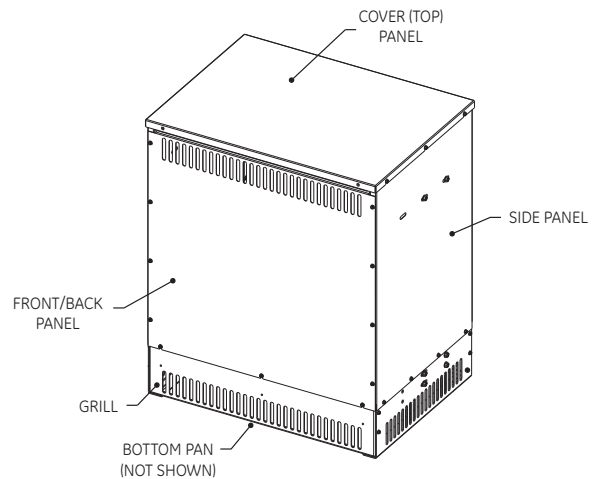
Frame Size	Enclosure Kit ²	Front/Back Panel	Side Panel	Cover (Top) Panel	Base
	Product No.	Product No.	Product No.	Product No.	Product No.
XV371	9T18Y4421	9T18Y4421G03	9T18Y4421G04	9T18Y4421G05	Not User Replaceable Contact Technical Support
XV372	9T18Y4412	9T18Y4412G03	9T18Y4412G04	9T18Y4412G05	
XV373	9T18Y4412	9T18Y4412G03	9T18Y4412G04	9T18Y4412G05	
XV374	9T18Y4413	9T18Y4413G03	9T18Y4413G04	9T18Y4413G05	
XV375	9T18Y4414	9T18Y4414G03	9T18Y4414G04	9T18Y4414G05	
XV376	9T18Y4415	9T18Y4415G03	9T18Y4415G04	9T18Y4415G05	
XV377	9T18Y4506G79	9T18Y4502G79	9T18Y4505G79	9T18Y4501G79	

²Enclosure Kit Contains 2 Front/Backs, 2 Sides, 1 Cover



ENCLOSURE KIT: 1 COVER + 2 SIDES + 2 FRONTS

QL Style Enclosure



ENCLOSURE KIT: 1 COVER + 2 SIDES + 2 FRONTS

TransforMore™ Style Enclosure