

C-VT-A-LIN4 Series

LED Linear Vapor Tight

Replaces 2-3 Lamp F32T8 or 2-Lamp F54T5HO



VERSATILE, LINEAR AND EASY TO INSTALL

The rugged design of the C-LITE™ LED Vapor Tight Strip is the perfect solution for a retrofit or new construction application. The high-output fixture is easy to install, and features stainless steel mounting brackets and latches, making it a long-lasting and sturdy option for your next project!



PRODUCT SPECIFICATIONS

OVERVIEW

- Initial Delivered Lumens: 5,200
- CRI: ≥ 80
- CCT: Neutral White 4000K, Cool White 5000K
- Mounting: Surface mounting via stainless steel mounting clips
- Input Power: 40 Watts
- Dimmable: 0-10V dimming to 10%
- Operating Range: -20°C (-4°F) - 45°C (113°F)
- Lifespan: Estimated 50,000 Hours
- Power Factor: > 0.9
- Total Harmonic Distortion: < 20%
- Limited Warranty: 5 Years*
- Replaces 2-3 Lamp F32T8 or 2-Lamp F54T5HO

DURABLE	EFFICIENT	RECOMMENDED USE	INPUT VOLTAGE
<ul style="list-style-type: none"> • IP65 Rating prevents the intrusion of moisture and dust • A robust design makes it perfect for indoor and outdoor settings • Stainless steel latches 	<ul style="list-style-type: none"> • Uniform illumination with no visible LED pixilation • High efficiency fixture with 130 lumens per watt 	<ul style="list-style-type: none"> • Industrial • Commercial • Maintenance Areas & Warehouses • General Illumination • Cold storage • Manufacturing Lighting 	<ul style="list-style-type: none"> • Universal (120V through 277V Operation)

ORDERING INFORMATION

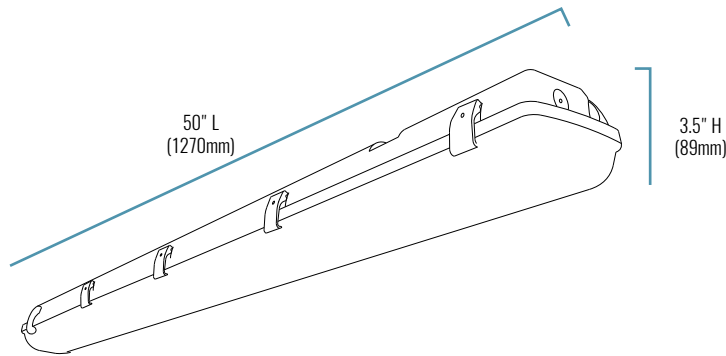
Example: C-VT-A-LIN4-52L-40K-GR

C-VT-A	LIN4	52L		GR
PRODUCT	STYLE	LUMEN PACKAGE	CCT	COLOR
C-VT-A	LIN4 LED Linear Vapor Tight Replaces 2-3 Lamp F32T8 or 2-Lamp F54T5HO	52L 5,200 Lumens 40W	40K Neutral White (4000K) 50K Cool White (5000K)	GR Gray

CERTIFICATIONS:



C-VT-A-LIN4 Series



SERIES OVERVIEW

DIMENSIONS	PRODUCT WEIGHT
50" (1270mm) L x 4.5" (114mm) W x 3.5" (89mm) H	6.4 lbs.

FIXTURE SPECIFICATIONS

HOUSING	Durable ABS (acrylonitrile butadiene styrene) housing
LATCHES	Stainless steel
LENS ASSEMBLY	Uniform illumination via diffused polycarbonate lens
MOUNTING	Easy installation surface mounting via stainless steel mounting clips (included). Cord by others

ELECTRICAL PERFORMANCE

OPERATING RANGE	LIFESPAN L ₇₀ AT 25°C (77°F)	POWER FACTOR	TOTAL HARMONIC DISTORTION	DIMMABLE
-20°C (-4°F) - 45°C (113°F)	Estimated 50,000 Hours	> 0.9	< 20%	0-10V dimming to 10%
INPUT VOLTAGE	120V	208V	240V	277V
CURRENT DRAW (Amps)	0.33A	0.19A	0.17A	0.14A

WARRANTY AND CERTIFICATIONS

WARRANTY	UL LISTED	INGRESS PROTECTION	DLC
5 Year Limited*	Wet Locations	IP65	DLC Premium Qualified Please refer to www.designlights.org/QPL for most current information

CA RESIDENTS WARNING: Cancer and Reproductive Harm –
www.p65warnings.ca.gov

© 2018 Cree, Inc. and/or one of its subsidiaries. All rights reserved. For informational purposes only. Content is subject to change. Patent www.cree.com/patents. C-LITE™ and C-LITE LED Lighting by Cree logo are trademarks of Cree, Inc. The UL logo is a registered trademark of UL LLC. The DLC QPL Premium logo is a registered trademark of Efficiency Forward, Inc.

US: www.c-lite.com T (800) 236-6800 F (262) 504-5415 Canada: www.cree.com/canada T (800) 473-1234 F (800) 890-7507

Rev. Date: V1 10/30/2018

For informational purposes only. Content is subject to change. *See lighting.cree.com/warranty for details

C-LITE
LED LIGHTING BY CREE