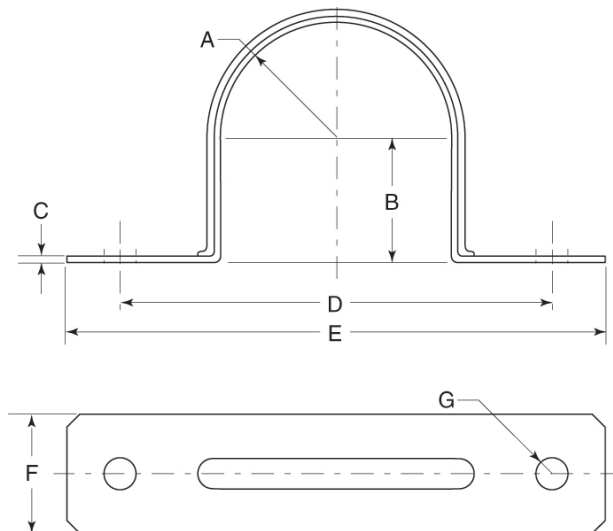
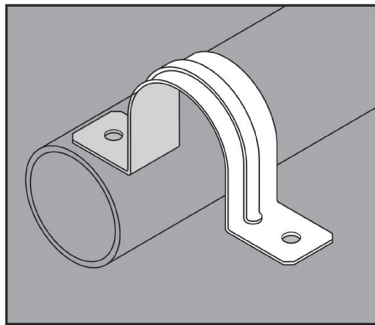


STAINLESS STEEL TWO HOLE STRAPS

APPLICATION



- Used to mount conduit systems flat against walls and other surfaces to provide extra support
- Manufactured in stainless steel to help prevent corrosion
- Can be installed using ordinary hand tools and require little maintenance or repair
- Provided in a bright, polished finish that does not require touch up or painting



PRODUCT DETAILS

Material:

316 SS

Standards:

ASTM A240

Country of Origin:

100% Made in USA

Part Number	Pipe/Rigid Conduit Size	Weight/100 (lbs.)	Dimension (in.)						
			A	B	C	D	E	F	G
3038-2	3/8 in.	2	0.35	0.32	.024 - .030	1.56	2.00	0.50	0.19
3050-2	1/2 in.	2	0.42	0.39	.024 - .030	1.78	2.25	0.56	0.19
3075-2	3/4 in.	3	0.52	0.50	.024 - .030	2.18	2.62	0.62	0.19
3100-2	1 in.	4	0.65	0.62	.033 - .038	2.53	3.20	0.75	0.25
3125-2	1-1/4 in.	6	0.83	0.80	.033 - .038	3.16	4.00	0.87	0.25
3150-2	1-1/2 in.	9	0.95	0.92	.043 - .050	3.37	4.20	0.93	0.25
3200-2	2 in.	11	1.18	1.15	.043 - .050	4.25	5.12	1.00	0.38
3250-2	2-1/2 in.	16	1.43	1.40	.053 - .060	4.95	5.87	1.00	0.38
3300-2	3 in.	20	1.75	1.70	.053 - .060	5.50	6.50	1.00	0.38
3350-2	3-1/2 in.	26	2.00	1.95	.068 - .075	6.18	7.12	1.00	0.44
3400-2	4 in.	29	2.25	2.20	.068 - .075	6.81	7.75	1.00	0.44

