

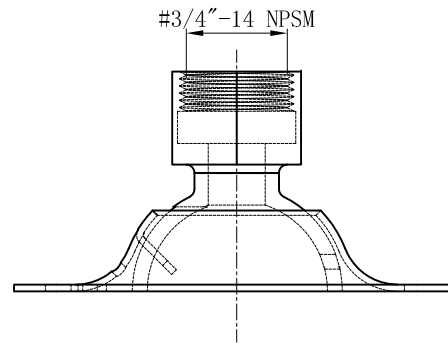
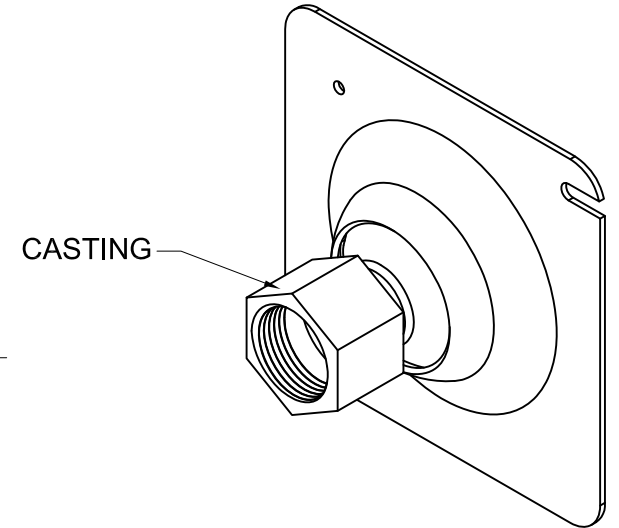
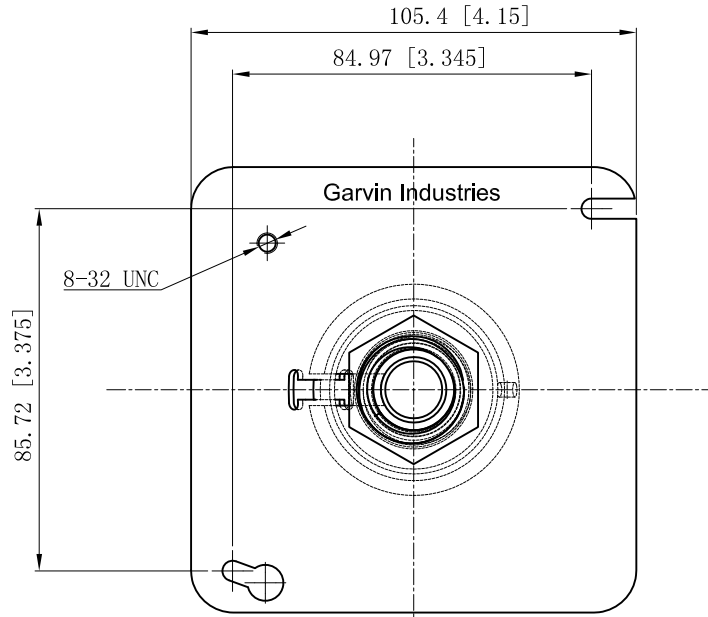
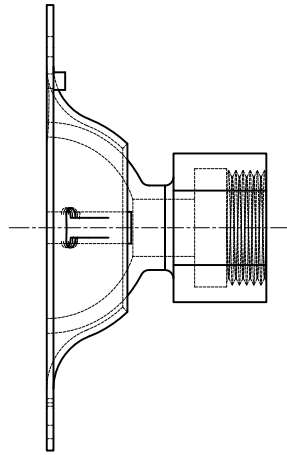
SIDES

BOTTOM

UL File #

E22445

Material: Steel-0.0625"-G60 Galvanized



This data sheet is for reference only .GARVIN INDUSTRIES reserves the right to make changes to the design without prior notice.

DESCRIPTION

STANDARD PACKING

25 PCS

GARVIN INDUSTRIES

4" SQ. SWIVEL FIXTURE

TITLE

SIZE A4

DWG NO.

SC-75

REV C

TRADE REFERENCE TERMS

DATA SHEET

www.garvinindustries.com