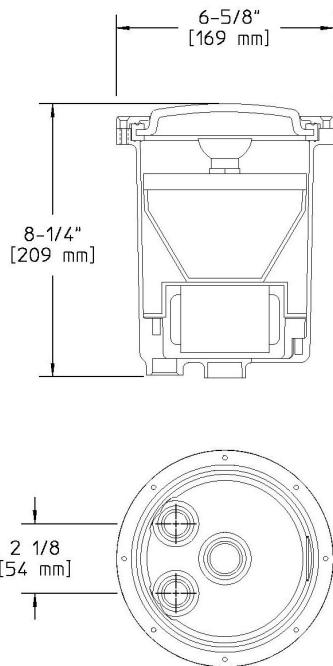


# IT2 Specification Sheet

Project Name:	Location:	MFG: Philips Hadco
Fixture Type:	Catalog No.:	Qty:



## Ordering Guide

Example: IT2 16 G H

<b>Product Code</b>	IT2	
<b>Lamp</b>	16	MR16
	36	PAR36/AR11
<b>Rock Guard</b>	G	Rock Guard *1
<b>Finish</b>	H	Bronze
	N	Natural Brass
	SS	Stainless steel (MATTE FINISH)

\*1 Rock guard is optional and available in bronze and natural cast bronze only.

## Specifications

### HOUSING:

Single-piece compression molded fiberglass reinforced polyester composite, factory pressure tested to ensure water will not wick or leak through. Trim ring is a compression molded polyester. Trim ring is a die-cast stainless steel. Trim ring is natural cast bronze. Rock guard used for directional glare control made of compression molded polyester.

### FINISH:

Composite is textured, pressure formed, molded-in-color.

### OPTICAL ASSEMBLY:

Lamps have 15° articulation either side of vertical and 358° rotation without interruption of beam pattern. Clear convex, tempered soda-lime glass for high impact resistance. 2,200-pound live-load rated, standard walk-over lens.

### LAMPING:

75W maximum PAR 36/AR11 screw terminal lamp. 75W maximum MR16 bi-pin lamp. Lamp is not included. Lower wattage lamps are acceptable.

### ELECTRICAL ASSEMBLY:

Bi-pin socket type (GU5.3) with 250° C high temperature teflon coated wire leads. Double screw terminal socket. Step-down transformer reduces line voltage to 12 volts.

### WARRANTY:

Ten-year limited warranty.

### CERTIFICATIONS:

ETL listed to U.S. safety standards for wet locations. cETL listed to Canadian safety standards for wet locations. Manufactured to ISO 9001:2008 Standards. ADA Compliant when flush mounted with CP2 or CPS2.

### Height :

8 13/16" (224mm)

### Width:

6 5/8" (169mm)

### Max. Weight:

3.45 lb.