

## DESCRIPTION

The Halo LT560 is an LED Baffle-Trim Module for 5" and 6" aperture recessed downlights; suitable for new construction, remodel and retrofit installation. The LT560 is cULus Listed for use with Halo and All-Pro, and is UL Classified for use with other compatible 5" and 6" housings. Precision construction makes any housing AIR-TITE for added HVAC savings and code compliance.

Catalog #		Type
Project		
Comments		Date
Prepared by		

## SPECIFICATION FEATURES

### MECHANICAL

#### Module - Trim

- Module construction includes LED, heat sink, reflector, lens, baffle and trim ring

#### Lens

- Regressed lens
- Impact-resistant polycarbonate
- Convex form for lamp-like appearance
- Diffusing for even illumination

#### Mounting

- Torsion springs are pre-installed and adjust to fit 5" and 6" compatible housings

#### Housing Compatibility

See Housing Compatibility

#### LED

- Color Temperature (CCT)\* Options: 3000K
- CRI: 90†
  - 90 CRI can be used for California Title 24 compliance/certified to Title 20

#### LED Chromaticity

- A tight chromaticity specification ensures LED color uniformity, sustainable Color Rendering Index (CRI) and Correlated Color Temperature (CCT) over the useful life of the LED
- LED chromaticity of 3 SDCM exceeds ENERGY STAR® color standards per ANSI C78.377- 2008
- 90 CRI model features high color performance with R9 greater than 50
- Halo LED serialized testing and measurement ensures color and lumen consistency on a per-unit basis, and validates long-term product consistency over time

## ELECTRICAL

### Power Connections

- LED connector is a non-screw base luminaire disconnect offering easy installation with

the matching Halo 5" and 6" LED housings

- LED Connector meets California Title-24 high efficacy luminaire requirement for a non-screw base socket, and where required to qualify as a high efficacy luminaire
- The included E26 medium screw-base Edison adapter provides easy retrofit of incandescent housings (see Housing Compatibility)

#### Ground Connection

Separate grounding cable included on the module for attachment to the housing during installation

#### LED Driver

- 120V 50/60 Hz constant current dimmable driver provides high-efficiency operation
- If dimming is not required the fixture can be operated from a standard wall switch

#### Dimming

- Designed for continuous dimming capability to nominally 5% with many 120V Leading Edge (LE) and Trailing Edge (TE) Phase Control dimmers. (Dimmers with low end trim adjustment offer greater assurance of achieving 5% level.)
- Consult dimmer manufacturer for compatibility and conditions of use

**Note:** some dimmers require a neutral in the wallbox.

#### Warranty

Five-year limited warranty.

#### Compliance Labels

- UL/cUL Listed 1598 Luminaire (with listed housings)
- UL Classified (with other housings - see Housing Compatibility)
- UL/cUL Listed for Damp Location

- UL/cUL Listed for Wet Location covered ceiling – Shower Applications
- IP56 Ingress Protection rated
- May be installed in housings in direct contact with insulation\*\* and combustible material

#### COMPLIANCE

- Airtight certified per ASTM E283 (not exceeding 2.0 CFM under 75 Pascals pressure difference)
- 90 CRI: Can be used to comply with California Title 24 High Efficacy requirements. Certified to California Title 20 Appliance Efficiency Database.\*
- Can be used for International Energy Conservation Code (IECC) high efficiency luminaire compliance.
- Can be used for Washington State Energy Code compliance
- ENERGY STAR® Certified luminaire - consult ENERGY STAR® Certified Product List\*
- EMI/RFI per FCC 47CFR Part 15 Class B Consumer limits, suitable for use in residential and commercial installations
- Contains no mercury or lead and RoHS compliant.
- Photometric testing in accordance with IES LM-79
- Lumen maintenance projections in accordance with IES LM-80 and TM-21
- Can be used in closets. Compliant with NFPA 70, NEC section 410.16 (A)(1) and 410.16 (C)(3).



## LT560

### 600 Series 5/6-Inch LED Recessed Retrofit Module-Trim

**90CRI  
3000K**

**FOR USE IN  
INSULATED CEILING  
AND NON- INSULATED  
CEILING RATED  
HOUSINGS**

**HIGH-EFFICACY LED  
WITH INTEGRAL  
DRIVER - DIMMABLE**

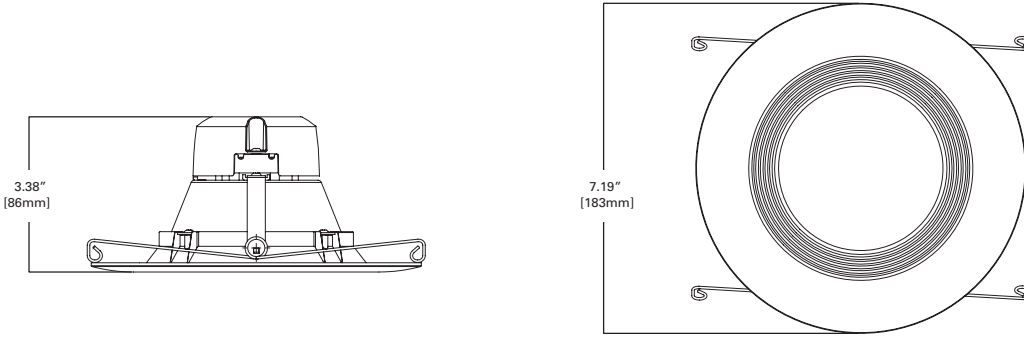
## ENERGY DATA

LT56 Series (Values at non-dimming line voltage)	
Input Voltage	120 VAC
Input Current	0.085A
Input Power	10.2 W
THD	≤ 24%
PF	≥ 0.90
Inrush (A)	
T Ambient	-30°C to +40°C
Sound Rating	≤ 22 dba
(all values at 25°C without a dimming control in circuit)	



Refer to ENERGY STAR® Certified Products List.  
Can be used to comply with California Title 24 High Efficacy requirements.  
Certified to California Title 20 Appliance Efficiency Database.

**DIMENSIONS**



**ORDERING INFORMATION**

**SAMPLE NUMBER:** LT560WH6930  
 Complete unit includes an LT560 Baffle-Trim LED module and a 5" or 6" compatible housing ordered separately.

Models	Accessory (Order Separately)
LT560WH6930= 5"/6" Retrofit Baffle - Trim LED Module, 90 CRI, 3000K, Matte White	HE26LED=Replacement screw base adapter (one included with unit)



E26 Screw base adapter for retrofit (included)

**HOUSING COMPATIBILITY**

**Compatible Halo LED Housings with LED luminaire connector (high-efficacy compliant)**

HALO LED	Recessed Can Size	Catalog Number
	5"	H550ICAT, H550RICAT
	6"	H750ICAT, H750RICAT, H750T, H750TCP, H2750ICAT

**Halo LED Retrofit Enclosures**

HALO	6"	ML7BXRFK, ML7E26RFK
------	----	---------------------

**Compatible Halo Incandescent E26 Screwbase Housings**

HALO	5"	H5ICAT, H5RICAT, H5T, H5RT, H5TM, H25ICAT
	6"	H7ICAT, H7RICAT, H7ICT, H7RICT, H7ICATNB, H7ICTNB, H7T, H7RT, H7TNB, H7TCP, H7UICAT, H7UICAT, H27ICAT, H27RICAT, H27RICT, H27T, H27RT

**Compatible All-Pro Incandescent E26 Screwbase Housings**

ALL-PRO	5"	EI500AT, EI500RAT, ET500, ET500R
	6"	EI700AT, EI700RAT, EI700, EI700R, EI700ATNB, EI700NB, EI700U, EI700UAT, ET700, ET700R, EI2700AT, EI2700, EI2700R, ET2700, ET2700R

**LT56 Series LED Retrofit is UL Classified for retrofit in the follow 5/6" recessed housings:**

The LT Series LED light module - trim combination is cULus Listed or UL Classified for use with any 5"/6" diameter recessed housing constructed of steel or aluminum with an internal volume that exceeds 107.9 in<sup>3</sup> in addition to those noted above.

**Product Specifications**

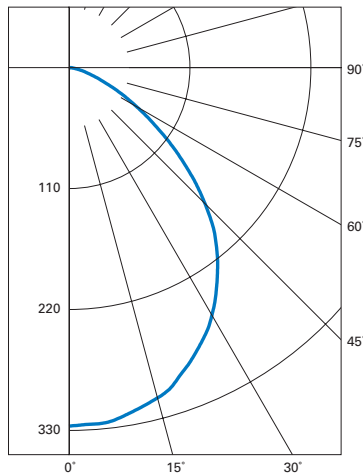
LT560WH6930 - 90 CRI

PRODUCT SPECIFICATIONS	
Lumens (Light Output)	<b>687</b>
Watts	<b>10.2</b>
Lumens Per Watt (Efficacy)	<b>67</b>
Color Accuracy (CRI)	<b>90</b>
Light Color (CCT) <small>Correlated Color Temperature (CCT)</small>	<b>3000K</b>
<small>MODEL# LT560WH6930</small>	

**Photometric Data**

LT56 Photometric\*

LT560WH6930		
Luminaire lumens	687	
Input watts	10.2	
LER (LPW)	67	
Spacing Criteria	0-180	1.2
	90-270	1.2
	Diagonal	1.28
Beam angle (degrees)	93	
Field angle (degrees)	139	
Zonal lumen	Lumens	% Lumens
0-30	247	36%
0-40	394	57%
0-60	621	90%
0-90	687	100%



\* Tested in accordance with IES LM63. Field results may vary.