

Project Name _____

Catalog No. _____ Date _____

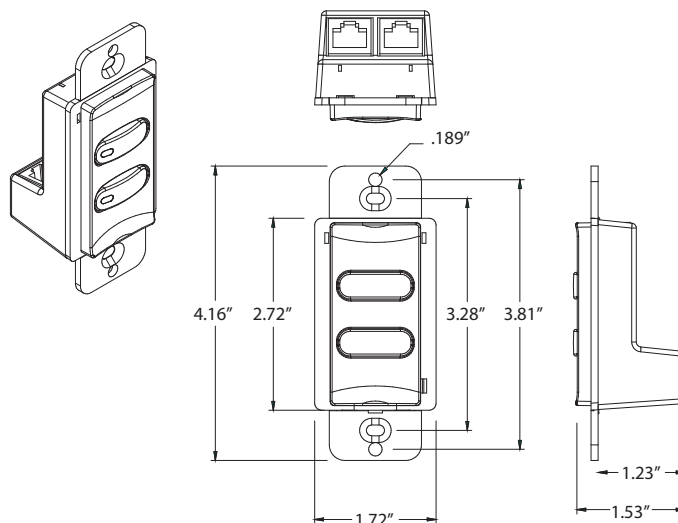
NX Smart Switches provide manual control of the NX System. Each button has an LED status indicator and can be configured to control individual loads or groups of loads. Smart Switches are addressable and connect to SmartPORT™ with a standard Cat5e patch cable. Up to eight switches can be connected in series to one SmartPORT. The attractive decorator style form factor allows ganging and use of standard decorator style wall plates.

NXSW series switches are configured for use in NX systems using Manual Configuration from the Room Controller, the NX Device Setup Tool App, or the NXAC Area Controller web browser user interface. All switches have a default operation once connected to a SmartPORT associated with NXRC room controllers or NXFM fixture modules. Switches connected to a NXSP module on a network system will require configuration before they will be operational.

Product Features

- Attractive, architecturally-pleasing decorator style design
- Gang-able with other decorator type devices
- Up to six buttons in a single gang
- Plug and play integration with NX SmartPORT
- Five-year limited warranty
- Low voltage device: 24 VDC
- Delivers simplified configuration and control of Hubbell Lighting luminaires using SpectraSync™ color tuning technology

Dimensional Data



Ordering Information

NXSW			
MODEL	SWITCH TYPE	COLOR	
NXSW NX Smart Switch	1 1 Toggle button	Blank White	
	2 2 Toggle buttons	IV Ivory	
	3 3 Toggle buttons	LA Light Almond	
	4 4 Toggle buttons	GY Gray	
	6 6 Toggle buttons	BK Black	

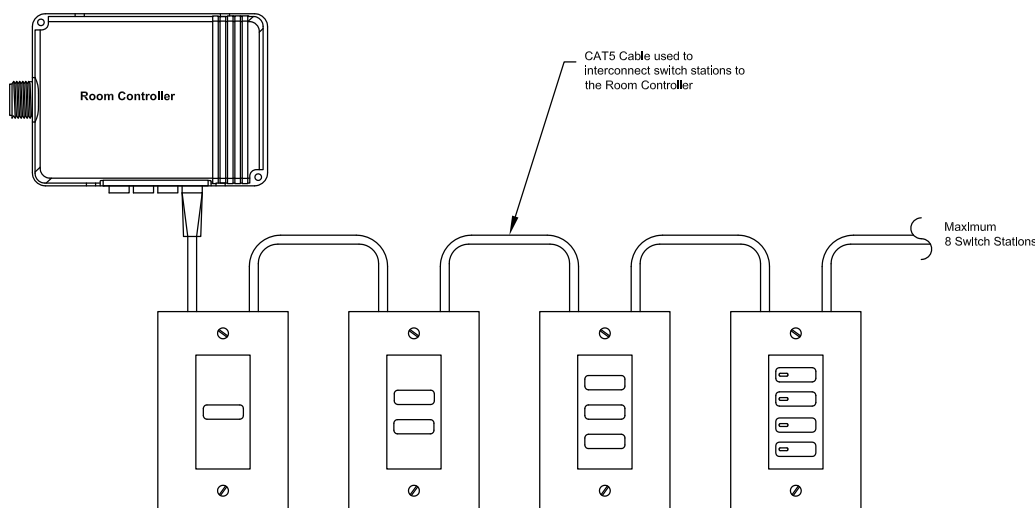
Ordering Information

CAT5 System Cables

--	--

MODEL/DESCRIPTION	
CAT5-3IN-OR-PLENUM	CAT5 Cable for NX SmartPORT™ Devices, Plenum Rated, 3in, Orange
CAT5-3F-OR-PLENUM	CAT5 Cable for NX SmartPORT™ Devices, Plenum Rated, 3ft, Orange
CAT5-10F-OR-PLENUM	CAT5 Cable for NX SmartPORT™ Devices, Plenum Rated, 10ft, Orange
CAT5-25F-OR-PLENUM	CAT5 Cable for NX SmartPORT™ Devices, Plenum Rated, 25ft, Orange
CAT5-50F-OR-PLENUM	CAT5 Cable for NX SmartPORT™ Devices, Plenum Rated, 50ft, Orange
CAT5-100F-OR-PLENUM	CAT5 Cable for NX SmartPORT™ Devices, Plenum Rated, 100ft, Orange

Wiring Diagrams



Setup and Configuration

Models: NXSW-1, NXSW-2, NXSW-3, NXSW-4, NXSW-6

As shipped, all buttons on these stations are configured as Toggle type (press for on/press for off) with LED status. The buttons can be configured for alternate operation using the NX Device Setup App.

BUTTON TYPES	
Toggle	Sends group ON/group OFF, factory configuration
On	Sends group ON to full level, relay control is optional
Off	Sends group OFF to minimum level, relay control is optional
Single Button On/Off	Sends group ON to level/group OFF to level, relay control is optional
Raise	Raise dimming level
Lower	Lower dimming level
Preset	Activate a preset scene, 1 – 16
Timed On	Sends ON with selectable timeout to OFF
CCT On	Sends ON, level, and sets color
CCT Off	Sends OFF, level, and sets color
CCT Raise	Increase color temperature
CCT Lower	Lower color temperature
Partition	Sends room combine/separate message
On/Raise/Lower/Off	Touch for ON, hold for raise/lower, touch for OFF

General Specifications

Addressing	Eight position rotary switch
Power Requirements	Powered by NX™ SmartPORT using plenum rated CAT5 cables (ordered separately)
Standby Power (W)	120VAC: 0.1 277VAC: 0.1 347VAC: 0.4
Operating Environment	Indoor use only Operating Temperature: 32° to 104° [0° to 40°] Relative humidity (non-condensing): 0 to 95%
Construction	Housing - Rugged, high impact, injection molded plastic
Dimensions	4.2" L [106.68 mm] x 1.6"W[40.64mm] x 1.4"D [35.65mm]
Weight	1.6 oz [45.36 g]
Color	White, Ivory, Light Almond, Gray, and Black
Mounting	Switches may be mounted individually in a single gang switch box or ganged together in a multi-gang switch box Decorator-style wall plates available separately
Patents	Patent(s) Pending
Warranty	Five-year limited