



## Power Packs and Relays

### Universal Voltage Power Pack

#### KEY FEATURES

- Universal voltage (100–277 VAC; 50/60Hz)
- Automatic voltage detection
- Electrical load switching capability: maximum of 20 Amps
- Regulated 24 VDC current; 150mA output; short circuit protected
- Zero Arc Point Switching
- Plenum rated
- Mounts: inside or outside a junction box; inside a fluorescent ballast cavity
- Available with exclusive Quick to Install (QTI) connector
- UL and cUL listed
- 5-year warranty



UVPP

#### OVERVIEW

The Universal Voltage Power Pack is a self-contained transformer and relay (an ON/OFF switch controlled by a circuit) designed for low-voltage 24 VDC occupancy sensors. The power pack supports and automatically detects the line-voltage input within the 100–277 VAC range. This eliminates the need for voltage-specific power packs. This power pack is capable of switching 20A loads and features Zero Arc Point Switching, minimizing relay-contact wear from high inrush loads. A single power pack can power either 4 sensors or 3 sensors and the MPSA auxiliary relay for multiple circuits. The Universal Voltage Power Pack is plenum rated and easily mounts either inside or outside a junction box or inside a fluorescent ballast cavity.

#### FEATURES and BENEFITS

##### Features

Universal voltage (100–277VAC; 50/60Hz)  
Automatic voltage detection

Zero Arc Point Switching

Plenum rated

Optional Quick To Install (QTI) connector

##### Benefits

- Eliminates the need for specific power packs
- No “specialized wiring” required. It wires the same for all applications and automatically detects the line voltage being used
- Minimizes relay-contact wear from high inrush loads
- Complies with requirements for use in a plenum area
- Dramatically reduces installation costs by removing the time-consuming process of manually wiring a sensor to a power pack
- Easy to install; fast and efficient; no cutting, stripping, or wire nuts required

## SPECIFICATIONS

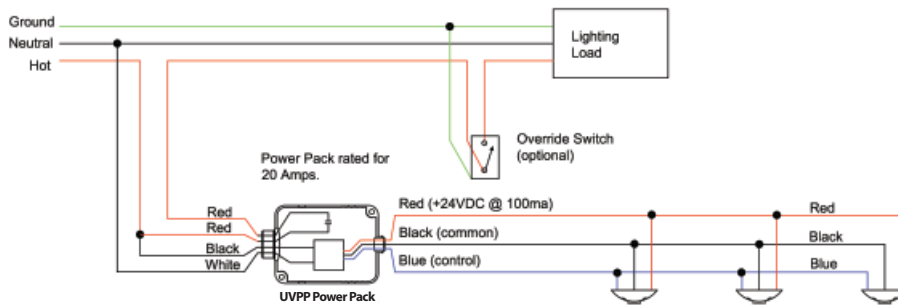
Power requirements	<ul style="list-style-type: none"> <li>• 100–277 VAC; 50/60Hz</li> <li>• Single phase only</li> </ul>
Output	• 24 VDC; 150mA nominal, isolated, and regulated
Relay contact rating	<ul style="list-style-type: none"> <li>• 20A: 120 VAC Incandescent</li> <li>• 20A: 120 or 277 VAC Ballast</li> <li>• 1HP: 120 or 277 VAC Motor Load</li> </ul>
Construction	• High-impact UL 94-5V plastic
Plenum rated	<ul style="list-style-type: none"> <li>• Complies with requirements for use in a plenum area</li> <li>• Plenum rated for external junction box mounting</li> </ul>
Operating environment	<ul style="list-style-type: none"> <li>• Indoor use only</li> <li>• Operating temperature: 32<sup>o</sup>–104<sup>o</sup> F (0<sup>o</sup>–40<sup>o</sup> C)</li> <li>• Relative humidity (non-condensing): 0%–95%</li> </ul>
Size	• 3.69" x 2.33" x 1.36"
Color	• Black
Certifications	• UL and cUL listed
Warranty	• 5 years

## How To Order

Catalog Number	Description
UVPP	Universal Voltage Power Pack, 100-277VAC, 50/60Hz

\* Add QTI to end of catalog number for optional Quick To Install connector.

## WIRING DIAGRAM



**Building Automation, Inc.**

**Hubbell Building Automation, Inc.**  
 9601 Dessau Road | Building One | Austin, Texas 78754  
 {512} 450-1100 | {512} 450-1215 fax  
[hubbell-automation.com](http://hubbell-automation.com)