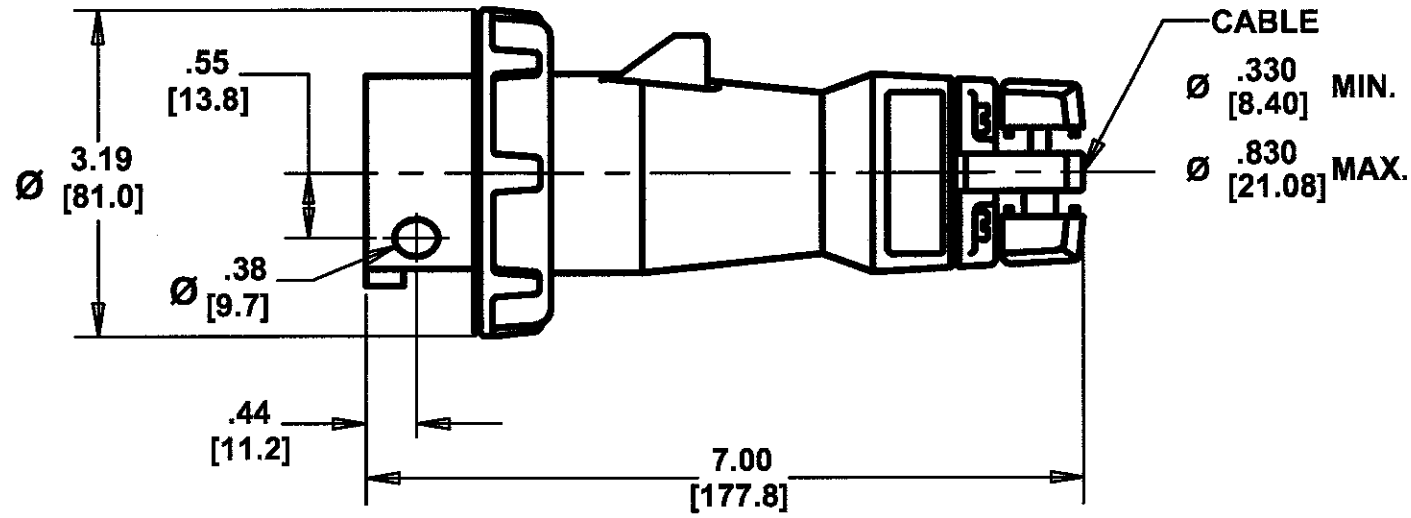
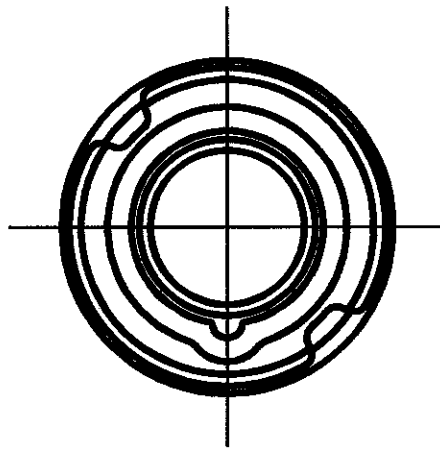


# M-6067 4



## LIST OF PARTS

DESCRIPTION	MATERIAL	FINISH
HOUSING	SEE TABLE	
GASKET	NEOPRENE	
LOCK RING	POLYESTER	
INTERIOR	THERMOSET	
PINS	BRASS	
TERMINAL SCREWS	ST. STEEL	
GLAND CAP	POLYESTER	
GLANDS	NEOPRENE	
CLAMPS	POLYESTER	
CLAMP NUTS	BRASS	NICKEL
ASSEMBLY SCREWS	ST. STEEL	

DIMENSION SHEET FOR CAT. NO. SEE TABLE

REPAIRABLE

NON-REPAIRABLE

B

M-6067

4

CAT. NO.	CONFIGURATION	RATING	COMMENTS	HOUSING		CAT. NO.	CONFIGURATION	RATING	COMMENTS	HOUSING	
				MATERIAL	COLOR					MATERIAL	COLOR
						HBL420P7W		20 A 3Ø 480 VAC		NYLON	RED
						HBL420P9W		20 A 3Ø 250 VAC		NYLON	BLUE
HBL420P5W		20 A 3Ø 600 VAC								NYLON	BLACK
HBL416P6W		16 A 380-415 VAC				HBL420P12W		20 A 125/250 VAC		NYLON	ORANGE

SYM	REVISIONS	APP	DATE
4	REDRAWN ON CAD WITH CHANGES. ADDED "HOUSING" AND "COMMENTS" COLUMNS TO TABLE, HOLE AND DIM.S TO VIEW, AND NOTES 1 & 2. IN TABLE, "A" WAS "AMP". IN LIST OF PARTS, "SEE TABLE" WAS "NYLON" AND "NEOPRENE" WAS "RUBBER" IN (2) PLACES. "CABLE Ø.330[8.4] MIN./Ø.830[21.08] MAX" WAS "CABLE DIA..390 9.9MM MIN. .330[8.4] MIN./Ø.830[21.08] MAX". "Ø" WAS "DIA." AND "[XX.X]" WAS "MM". SUPERSEDES DRAWING DATED 4/29/80 PER DCN #12944. JMN	DJP	6/14/06

THE DESIGN AND DIMENSIONS OF THE PRODUCT SHOWN ON THIS DRAWING ARE SUBJECT TO CHANGE WITHOUT NOTICE

TITLE  
**16A & 20A 3 POLE 4 WIRE PIN AND SLEEVE PLUGS**

NOTES (UNLESS OTHERWISE SPECIFIED)  
 1) TOLERANCES ARE:  
 DECIMALS ± .03  
 ANGLES ± 2°  
 2) DIMENSIONS ARE: INCHES [MILLIMETERS]

TOLERANCES UNLESS OTHERWISE SPECIFIED		WIRING DEVICE—KELLEMS HUBBELL INCORPORATED BRIDGEPORT, CT	
FRACTIONS ± 1/64	DECIMALS ± .005	DR. BY MJK	APP. BY DJP
ANGLES ± 2°		TR. BY JMN	SCALE NONE
		CHK'D BY DJP	DATE 6/14/06