

Class I, Div. 1 & 2, Groups C,D  
Class II, Div. 1 & 2, Groups E,F,G  
Class III

Listed - File E10514

Certified - File LR11716

FM File 25215

APPROVED See files for details or call Killark.

FEATURES-SPECIFICATIONS

Applications

- Elbows: To change direction in rigid or IMC conduit systems
- Capped Elbows: To change direction 90° in rigid or IMC conduit systems where space is limited and access is needed for pulling conductors or maintenance
- Swivel Elbows: Allows conduit to be joined at angles ranging between 90° to 180°. A screwdriver is the only tool needed
- 90° Plugged Elbows: To change direction 90° in rigid or IMC conduit systems where space is limited and access is needed for pulling conductors or maintenance

Features

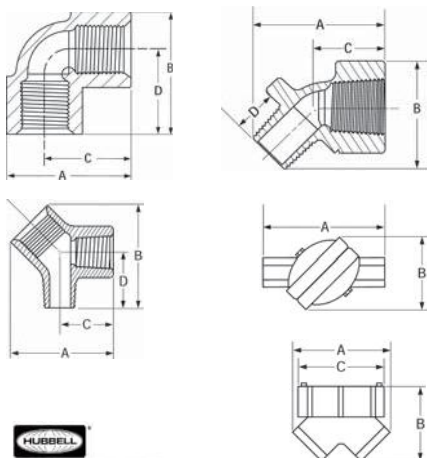
- Threaded for rigid conduit or IMC
- Smooth integral bushings to prevent damage to wires

Material/Finish

Copper-free Aluminum  
(less than 4/10 of 1%)

- Electrostatically applied powder coating

Iron Zinc electro-plate



ELBOWS

CATALOG NUMBER		HUB SIZE	TYPE	A	B	C	D
ALUMINUM	IRON						
FF-90-11	FF-90-1M3	1/2"	FF 90°	2"	2"	1-3/8"	1-3/8"
FF-90-21	FF-90-2M3	3/4"	FF 90°	2-1/4"	2-1/4"	1-1/2"	1-1/2"
FF-90-31	FF-90-3M3	1"	FF 90°	2-15/16"	2-15/16"	2"	2"
FF-45-11	FF-45-1M3	1/2"	FF 45°	2-3/8"	2"	1-1/8"	—
FF-45-21	FF-45-2M3	3/4"	FF 45°	2-11/16"	2-3/16"	1-1/4"	—
FF-45-31	FF-45-3M3	1"	FF 45°	3-3/8"	2-11/16"	1-5/8"	—
FF-45-61	FF-45-6M3	2"	FF 45°	4-3/4"	3-7/8"	2-1/4"	—
FF-45-81	FF-45-8M3	3"	FF 45°	5-1/4"	5-17/64"	2-17/64"	—
MF-90-11	MF-90-1M3	1/2"	MF 90°	2-7/32"	2"	1-3/8"	1-1/16"
MF-90-21	MF-90-2M3	3/4"	MF 90°	2-1/2"	2-1/4"	1-1/2"	1-1/16"
MF-45-11	MF-45-1M3	1/2"	MF 90°	2-35/64"	1-55/64"	1-1/8"	1-1/16"
MF-45-21	MF-45-2M3	3/4"	MF 90°	2-3/4"	2"	1-9/32"	1-1/16"
MM-90-11	MM-90-1M3	1/2"	MM 90°	2-15/32"	2-15/32"	1-49/64"	1-1/16"
MM-90-21	MM-90-2M3	3/4"	MM 90°	2-5/8"	2-5/8"	1-57/64"	1-1/16"
BL-90-11	BL-90-1M3	1/2"	BL 90°	2-1/4"	2-3/8"	1-7/8"	1-3/4"
BL-90-21	BL-90-2M3	3/4"	BL 90°	2-5/8"	3"	2-1/8"	2-1/4"
BL-90-31	BL-90-3M3	1"	BL 90°	2-1/4"	3-7/16"	2-5/8"	2-1/2"

CAPPED ELBOWS

CATALOG NUMBER		HUB SIZE	TYPE	A	B	C	D
ALUMINUM	IRON						
Y-11	Y-1M4	1/2"	90°	2-7/8"	2-3/4"	1-7/8"	—
Y-21	Y-2M4	3/4"	90°	3-1/16"	3-3/4"	2-1/8"	—
Y-31	Y-3M4	1"	90°	4"	3-1/4"	2-5/8"	—
Y-41	Y-4M4	1-1/4"	90°	5-1/16"	4-1/8"	3-7/8"	—
Y-51	Y-5M4	1-1/2"	90°	5-1/16"	4-1/4"	3-7/8"	—

SWIVEL ELBOWS

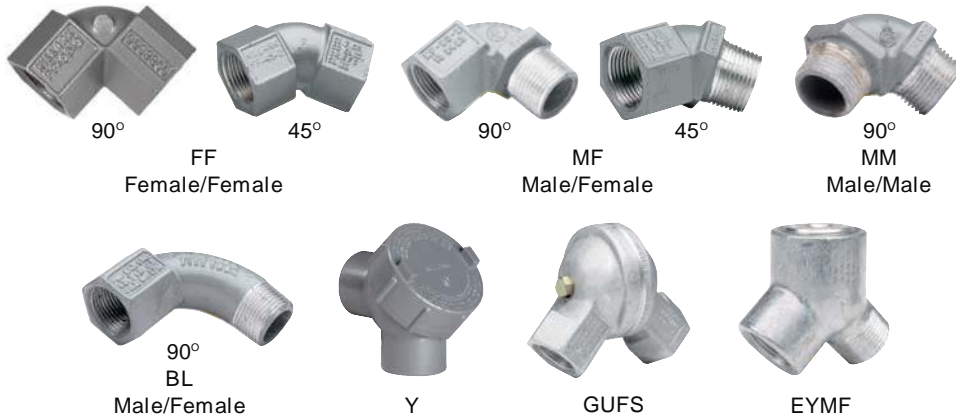
CATALOG NUMBER		HUB SIZE	TYPE	A	B	C	D
ALUMINUM	IRON						
GUFS-12	GUFS-1M3	1/2"	180°	4-1/2"	2-1/4"	—	—
GUFS-22	GUFS-2M3	3/4"	180°	4-1/2"	2-1/4"	—	—
GUMFS-12	GUMFS-1M3	1/2"	180°	5-1/8"	2-1/4"	—	—
GUMFS-22	GUMFS-2M3	3/4"	180°	5-1/4"	2-1/4"	—	—

90° PLUGGED ELBOWS

CATALOG NUMBER <sup>5</sup>		HUB SIZE	TYPE	A	B	C	D
ALUMINUM	IRON						
EYMF-12	—	1/2"	90°	2-5/8"	2-5/8"	1-3/8"	1-3/8"
EYMF-22	—	3/4"	90°	2-3/4"	2-3/4"	1-1/2"	1-1/2"

- 1 Copper-free aluminum - Electrostatically applied powder coating
- 2 Aluminum - Natural finish
- 3 Iron - Zinc electroplate
- 4 Iron - Duraloy finish
- 5 Furnished with 1" close-up plug in top.

For ATEX and IEC Ex certified  
Elbows, see following page.



Global Listings

ATEX / IEC Ex Certified

File nos. ITS09ATEX16417U

IECEXITS09.0024U



Ex d IIC

UL Listed File No. E 10514

SF Certified File No. LR11716

Class I, Div. 1 & 2, Groups C,D  
Class II, Div. 1 & 2, Groups E,F,G  
Class III

cb^qr obpJpmb' fcf' ^qfl kp

Applications

- Elbows: To change direction in rigid or IMC conduit systems
- Capped Elbows: To change direction 90° in rigid or IMC conduit systems where space is limited and access is needed for pulling conductors or maintenance
- Swivel Elbows: Allows conduit to be joined at angles ranging between 90° to 180°. A screwdriver is the only tool needed
- 90° Plugged Elbows: To change direction 90° in rigid or IMC conduit systems where space is limited and access is needed for pulling conductors or maintenance

Features

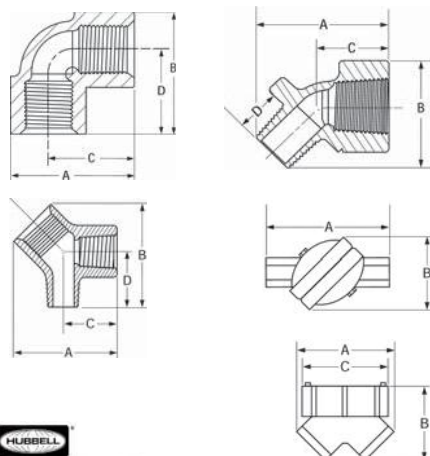
- Threaded for rigid conduit or IMC
- Smooth integral bushings to prevent damage to wires

Material/Finish

Copper-free Aluminum  
(less than 4/10 of 1%)

- Electrostatically applied powder coating

Iron Zinc electro-plate



ELBOWS - QUAD LISTED

CATALOG NUMBER		HUB SIZE	TYPE	A	B	C	D
ALUMINUM	IRON						
FF-90-1-EX1	FF-90-1M-EX3	1/2"	FF 90°	2"	2"	1-3/8"	1-3/8"
FF-90-2-EX1	FF-90-2M-EX3	3/4"	FF 90°	2-1/4"	2-1/4"	1-1/2"	1-1/2"
FF-90-3-EX1	FF-90-3M-EX3	1"	FF 90°	2-15/16"	2-15/16"	2"	2"
FF-45-1-EX1	FF-45-1M-EX3	1/2"	FF 45°	2-3/8"	2"	1-1/8"	—
FF-45-2-EX1	FF-45-2M-EX3	3/4"	FF 45°	2-11/16"	2-3/16"	1-1/4"	—
FF-45-3-EX1	FF-45-3M-EX3	1"	FF 45°	3-3/8"	2-11/16"	1-5/8"	—
FF-45-6-EX1	FF-45-6M-EX3	2"	FF 45°	4-3/4"	3-7/8"	2-1/4"	—
FF-45-8-EX1	FF-45-8M-EX3	3"	FF 45°	5-1/4"	5-17/64"	2-17/64"	—
MF-90-1-EX1	MF-90-1M-EX3	1/2"	MF 90°	2-7/32"	2"	1-3/8"	1-1/16"
MF-90-2-EX1	MF-90-2M-EX3	3/4"	MF 90°	2-1/2"	2-1/4"	1-1/2"	1-1/16"
MF-45-1-EX1	MF-45-1M-EX3	1/2"	MF 90°	2-35/64"	1-55/64"	1-1/8"	1-1/16"
MF-45-2-EX1	MF-45-2M-EX3	3/4"	MF 90°	2-3/4"	2"	1-9/32"	1-1/16"
MM-90-1-EX1	MM-90-1M-EX3	1/2"	MM 90°	2-15/32"	2-15/32"	1-49/64"	1-1/16"
MM-90-2-EX1	MM-90-2M-EX3	3/4"	MM 90°	2-5/8"	2-5/8"	1-57/64"	1-1/16"
BL-90-1-EX1	BL-90-1M-EX3	1/2"	BL 90°	2-1/4"	2-3/8"	1-7/8"	1-3/4"
BL-90-2-EX1	BL-90-2M-EX3	3/4"	BL 90°	2-5/8"	3"	2-1/8"	2-1/4"
BL-90-3-EX1	BL-90-3M-EX3	1"	BL 90°	2-1/4"	3-7/16"	2-5/8"	2-1/2"

CAPPED ELBOWS

CATALOG NUMBER		HUB SIZE	TYPE	A	B	C	D
ALUMINUM	IRON						
Y-1-EX1	Y-1M-EX4	1/2"	90°	2-7/8"	2-3/4"	1-7/8"	—
Y-2-EX1	Y-2M-EX4	3/4"	90°	3-1/16"	3-3/4"	2-1/8"	—
Y-3-EX1	Y-3M-EX4	1"	90°	4"	3-1/4"	2-5/8"	—
Y-4-EX1	Y-4M-EX4	1-1/4"	90°	5-1/16"	4-1/8"	3-7/8"	—
Y-5-EX1	Y-5M-EX4	1-1/2"	90°	5-1/16"	4-1/4"	3-7/8"	—

SWIVEL ELBOWS

CATALOG NUMBER		HUB SIZE	TYPE	A	B	C	D
ALUMINUM	IRON						
GUFS-1-EX1	GUFS-1M-EX4	1/2"	180°	4-1/2"	2-1/4"	—	—
GUFS-2-EX1	GUFS-2M-EX4	3/4"	180°	4-1/2"	2-1/4"	—	—
GUMFS-1-EX1	GUMFS-1M-EX4	1/2"	180°	5-1/8"	2-1/4"	—	—
GUMFS-2-EX1	GUMFS-2M-EX4	3/4"	180°	5-1/4"	2-1/4"	—	—

90° PLUGGED ELBOWS

CATALOG NUMBER		HUB SIZE	TYPE	A	B	C	D
ALUMINUM	IRON						
EYMF-1-EX2	—	1/2"	90°	2-5/8"	2-5/8"	1-3/8"	1-3/8"
EYMF-2-EX2	—	3/4"	90°	2-3/4"	2-3/4"	1-1/2"	1-1/2"

- 1 Copper-free aluminum - Electrostatically applied powder coating
- 2 Aluminum - Natural finish
- 3 Iron - Zinc electroplate
- 4 Iron - Duraloy finish
- 5 Furnished with 1" close-up plug in top.