


HBL5785IV -- Metal Raceway, HBL500/HBL750 Series, Combination Connector, Ivory



The HBL500/HBL750 Series Combination Connector is used for connecting raceway, without offsetting, to any 3.25" (83) or 4" (102) outlet box mounted on the surface with a KO for 1/2" trade size conduit. Spring steel bushing (included) eliminates need for conduit nipple and locknut.

Product Specifications	
Fitting Type	Combination Connector
Datasheet	Click Here
Dimensions	A: 2.90" (73.72) B: 1.27" (32.26) C: 1.64" (41.78)
Raceway	 <p style="text-align: center;">Fittings</p>
For Use With	HBL500, HBL750
Catalog Page	Click Here

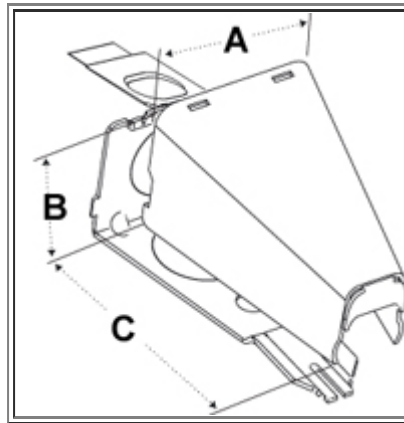
FEATURES

- Enhanced datacom capabilities.
- Largest single channel, low-profile raceway available in its class.
- Ideal for datacom and oversized neutral applications.
- Allows up to three Category 5e, or two Category 6 cables.
- Complete line of transition fittings for HBL500 Series Metal Raceway.

SPECIFICATIONS

- Material: Steel.
- Finish: painted Ivory.
- UL Standard: UL5. E253976, E253830, E253833.
- UL Classified for transition from Wiremold® Metal Surface Raceway to Hubbell Metal Raceway.
- NEC Article: 386.

- Conforms to ANSI/TIA-569-B.
- CSA Standard Listing: C22.2 no. 62, LR87514.



Metal Raceway Wire Fill Capacities														
Series	Channel Area (sq. in.)	Power (THHN/T90 Nylon)			Voice		Data (Copper Cables)					Data (Multimode Fiber Optic Cables)		
		14 AWG	12 AWG	10 AWG	4-Pair	25-Pair	Type RG59U	Cat. 5e	Cat. 6	Cat. 6A	Cat. 6 STP	(2) or (4) Fiber Round Cable	Fiber Optic Jumpers	Fiber Optic Zip Cord
	Wire O.D. (in):	0.111	0.13	0.164	0.19	0.41	0.242	0.21	0.25	0.35	0.29	0.19	0.118	.12 X .24
	Wire Area (sq. in.):	0.0097	0.0133	0.0211	0.0283	0.1320	0.0460	0.0346	0.0491	0.0962	0.0660	0.0283	0.0109	0.0288
	Wire Fill Capacity	40%			40%	40%	40%	40%	40%	40%	40%	40%	40%	40%
HBL500	0.22	7	5	3	3	1	2	3	2	1	1	3	8	3
HBL750	0.40	12	9	5	6	1	3	5	3	2	2	6	15	6

Note: Pathway (Raceway) fill shall be 40% maximum.
Raceway fittings and outlets/receptacles reduce the cross section of the raceway system, thus reducing overall cable fill capacity.

