

Application

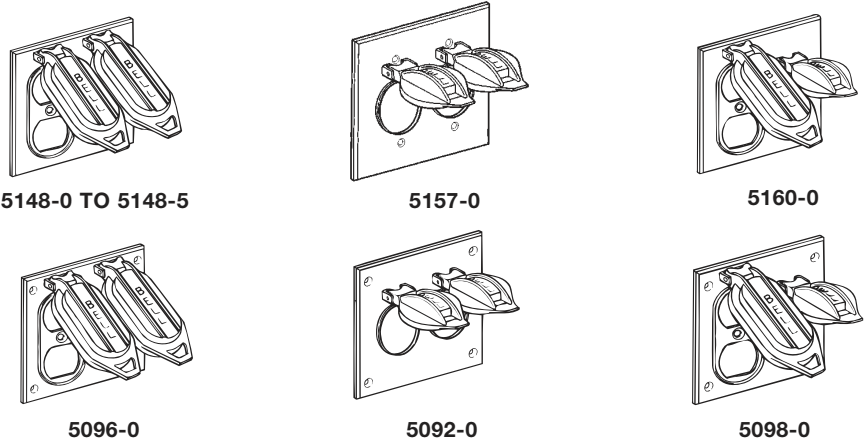
- For use whenever weatherproof protection is required for an outdoor receptacle

Product Features

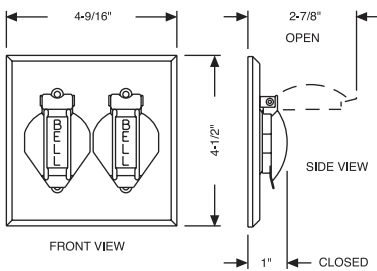
- Rugged metallic construction
- State-of-the-art powder coat finish provides maximum weatherability and scratch resistance
- Self-closing lids assure weatherproof protection when the receptacle is not in use
- Includes installation hardware, gasket, and multi-lingual instructions

Compliances

- – Standard 514A
- – C22.2
- NEMA 3R Rated

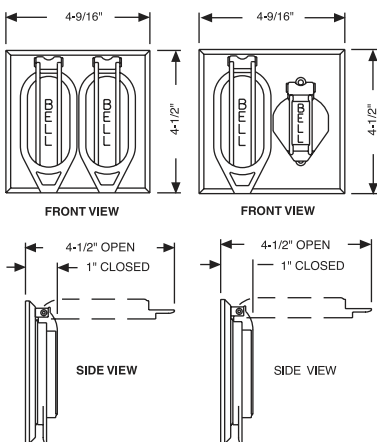


5157-0 SERIES, 5092-0



TWO-GANG DEVICE COVERS

5148-0 SERIES, 5096-0 5160-0, 5098-0



NOTE: DIMENSIONS ARE THE SAME FOR DEVICE MOUNT AND BOX MOUNT STYLES SHOWN.
5157-0 SERIES, 5092-0

ORDERING INFORMATION - DIMENSIONS

| DEVICE MOUNT | | | | | |
|----------------|--------|--------------------------------------|-----------|-----------|--------------|
| CATALOG NUMBER | COLOR | RECEPTACLE TYPE | PKG. TYPE | STD. PKG. | UPC BAR CODE |
| 5148-0 | Gray | (2) Duplex | Shrink | 18 | |
| 5148-1 | White | (2) Duplex | Shrink | 18 | |
| 5148-2 | Bronze | (2) Duplex | Shrink | 18 | |
| 5148-5 | Gray | (2) Duplex | Carded | 4 | |
| 5157-0 | Gray | (2) Single, 1.406" dia. | Shrink | 18 | |
| 5160-0 | Gray | (1) Duplex & (1) Single, 1.406" dia. | Shrink | 12 | |

| BOX MOUNT | | | | | |
|----------------|-------|--------------------------------------|-----------|-----------|--------------|
| CATALOG NUMBER | COLOR | RECEPTACLE TYPE | PKG. TYPE | STD. PKG. | UPC BAR CODE |
| 5096-0 | Gray | (2) Duplex | Shrink | 12 | |
| 5092-0 | Gray | (2) Single, 1.406" dia. | Shrink | 12 | |
| 5098-0 | Gray | (1) Duplex & (1) Single, 1.406" dia. | Shrink | 12 | |