

SUPERBAY BALLAST HOUSING

Cat. #		Approvals
Job	Type	

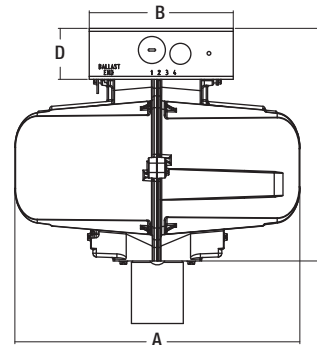


SPECIFICATIONS

- Rugged, two-piece, die cast aluminum ballast housing with corrosion resistant Lektrocote® white finish.
- Fits with any of four different optical systems.
- Ballasts are high power factor with 180°C Class H insulation.
- Electrical components are mounted directly to the aluminum housing for cool operation and long life.

LISTINGS

- Superbay ballast housings are CSA 22.2 certified No. 250.0-00 and tested to 35°C ambient operation (25°C for BL-WA25).
- Minimum 105°C supply conductors.
- Suitable for damp locations.



**SLICK-ON®
BRACKET
PENDANT, CEILING,
THROUGH-WIRE
MOUNTING
(shipped standard)**

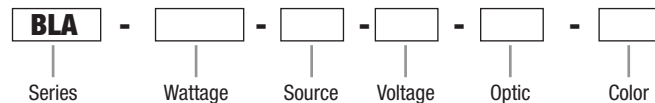


**QUICK-ON®
BRACKET
PENDANT MOUNT
(shipped standard)**

	A	B	C	D
QUICK-ON®	11 ⁷ / ₈ " 301.6 mm	6" 152.4 mm	9 ⁵ / ₈ " 246.2 mm	2 ¹ / ₈ " 53.9 mm
SLICK-ON®	11 ⁷ / ₈ " 301.6 mm	6" 152.4 mm	9 ⁵ / ₈ " 246.2 mm	2 ¹ / ₈ " 53.9 mm

ORDERING INFORMATION

ORDERING EXAMPLE: BLA-1000-H-8-NB-WH



SERIES

BLA Superbay Series

WATTAGE

150 150 watt HPS only
175 175 watt Pulse Start MH only
200 200 watt Pulse Start MH only
250 250 watt Pulse Start MH or HPS
320 320 watt Pulse Start MH or HPS
350 350 watt Pulse Start MH only
400 400 watt Pulse Start MH or HPS
450 450 watt Pulse Start MH only
1000 1000 watt MH, Pulse Start MH or HPS

SOURCE

H Metal Halide
S High Pressure Sodium
P Pulse Start Metal Halide
E Electro-Reg® (40°C)

VOLTAGE

5 480V
6 Tri-Tap® - 120/277/347V
7 600V (isolated secondary only)
8 Quad-Tap® (multi-tap) - 120/208/240/277V
F 347V (single voltage only)

OPTIC

NB OU/OU60
NH HGE16/HG016
NI HGE22/HG022

COLOR

WH White (standard)
GR Gray (optional)

NOTE: Options must be added as suffix to Catalog Number. Accessories must be ordered separately.

1000 WATT SUPERBAY OPTICS & AMBIENT TEMPERATURE

Optic	1000W MH	1000W PS	1000W HPS
BL-WA25¹	BT-37 / 25°C (requires an open rated lamp)	N/A	ED-37 / 25°C
BL-OU60	BT-56 / 35°C	BT-37 / 25°C (requires a bottom lens)	ED-37 / 35°C
BL-HG016	BT-37 / 35°C	BT-37 / 35°C	ED-37 / 35°C
BL-HGE16	BT-37 / 35°C	BT-37 / 35°C	ED-37 / 35°C
BL-HG022	BT-37 / 35°C	BT-37 / 35°C	ED-37 / 35°C
BL-HGE22	BT-37 / 35°C	BT-37 / 35°C	ED-37 / 35°C

¹ WA25 cannot be enclosed with a 1000 watt HID lamp.

ORDERING INFORMATION

ACCESSORIES

(order separately)

Catalog #	Description
B-LLR¹	Lower Luminaire Retainer - 2' cable secures reflector to ballast housing
B-TLR(6)¹	6' Top Luminaire Retainer - chain secures ballast housing to structure when additional safety precautions are required
B-TLR(10)¹	10' Top Luminaire Retainer - chain secures ballast housing to structure when additional safety precautions are required
B-TLR(12)¹	12' Top Luminaire Retainer - chain secures ballast housing to structure when additional safety precautions are required
B-TLR(16)¹	16' Top Luminaire Retainer - chain secures ballast housing to structure when additional safety precautions are required
BL-Q0	Quick-On ³ / ₄ " pendant mount
BL-SO	Slick-On Thru Wire Outlet Box for ³ / ₄ " pendant or ³ / ₄ , ¹ / ₂ side entry conduit
BL-SOF	Slick-On Single Fusing (fuse not incl.) thru wire outlet box for ³ / ₄ " pendant or ³ / ₄ , ¹ / ₂ side entry conduit mount with single fuse holder
BL-SOFF	Slick-On Double Fusing (fuses not incl.) thru wire outlet box for ³ / ₄ " pendant or ³ / ₄ , ¹ / ₂ side entry conduit mount with double fuse holder (not for Canada)
CH-ENC-23	Tempered Glass Lens Door for open 23"
HG-ENC-16	Flat Glass Bottom Enclosure for the HGE16 & HG016
HG-ENC-22	Flat Glass Bottom Enclosure for the HGE22 & HG022
WA25-ENC²	25" Acrylic Lens, corrosion-resistant steel lens ring (not dust tight) required for 175, 250, 320 & 350 watt metal halide luminaires; for WA25 reflector only (not for 1000 watt)
WG-16	16" Wireguard - corrosion resistant, welded steel w/ center lamp access
WG-23	23" Wireguard - corrosion resistant, welded steel w/ center lamp access
WG-25	25" Wireguard - corrosion resistant, welded steel w/ center lamp access

¹ Luminaire retainers/safety cables reduce risk of equipment falling.

² Bottom enclosures are required unless lamps designated as "suitable for open use" are used.

MOUNTING ACCESSORIES

(order separately)

PLUGS ARE TWIST-LOCK® TYPE AS MANUFACTURED BY HUBBELL WIRING DEVICES.

Catalog #	Description
BLA-C4HLP-1	4' Cord, Hook/Loop and 120V 20A Twist-Lock® Plug
BLA-C4HLP-4	4' Cord, Hook/Loop and 277V 20A Twist-Lock® Plug
BLA-C4HLP1-15A	4' Cord, Hook/Loop and 120V 15A Twist-Lock® Plug
BLA-C4HLP4-15A	4' Cord, Hook/Loop and 277V 15A Twist-Lock® Plug
HOOK/LOOP¹	Hook - cast aluminum ³ / ₄ " NPS male; includes safety screw; converts to Loop with strap included
H3/4AL3/4¹	Swivel Aligner - complete with box for thru wiring; all hubs tapped for ³ / ₄ " conduit - 25° swivel
PHE-XXX¹	Die Cast Aluminum Power Hook with 20A Twist-Lock® Receptacle - ceiling or ³ / ₄ " pendant mount, with ³ / ₄ " side entry for thru wiring 15" Cord, Hook/Loop & Twist-Lock® Plug (20 amp) included (for voltage replace XXX with 120, 208, 240, 277, 347, or 480)
PHE-XXX-L²	As above, except cord, loop & plug not included (for voltage replace XXX with 120, 208, 240, 277, 347, or 480)
PHS-XXX	Specification Grade Power Hook - 30" cord dead front plug & receptacle with isolated wiring chamber; ceiling or ³ / ₄ " pendant mount, with ³ / ₄ " side entry for thru wiring; special safety feature locks Hook/Loop onto bottom hook (for voltage replace XXX with 120, 208, 240, 277, 347, or 480)
PHS-XXX-L^{1,3}	Specification Grade Power Hook - dead front receptacle with isolated wiring chamber; ceiling or ³ / ₄ " pendant mount, with ³ / ₄ " side entry for thru wiring; Cord, Hook/Loop and Dead Front Plug not included, must be ordered with luminaire (for voltage replace XXX with 120, 208, 240, 277, 347, or 480)
SY3-XXX-2	Rugged Steel Power Hook with 20A Twist-Lock® Receptacle - pendant or surface mount, ³ / ₄ " thru wiring capability; 30" Cord, Hook/Loop and Plug (20 amp) included (for voltage replace XXX with 120, 208, 240, 277, 347, or 480)
SY3-XXX-L²	Porta-Hook includes integral mounting hook and 20A Twist-Lock® Receptacle; ³ / ₄ " knockouts on top and two sides; Cord, Hook/Loop and Plug (20 amp) not included (for voltage replace XXX with 120, 208, 240, 277, 347, or 480)

¹ CSA certified.

² Cord, Hook/Loop and Plug must be added to fixture as option, example: -C2HLP4.

³ Cord, Hook/Loop and Dead Front Plug must be added to fixture as option, example: -DFP4.

NOTE: Cord used with above accessories is 16/3 SOWA 105°C NEMA configurations.

Due to our continued efforts to improve our products, product specifications are subject to change without notice.



Industrial Lighting

Hubbell Industrial Lighting • 701 Millennium Boulevard • Greenville, SC 29607 • PHONE: 864-678-1000

For more information visit our web site: www.hubbell-ltg.com