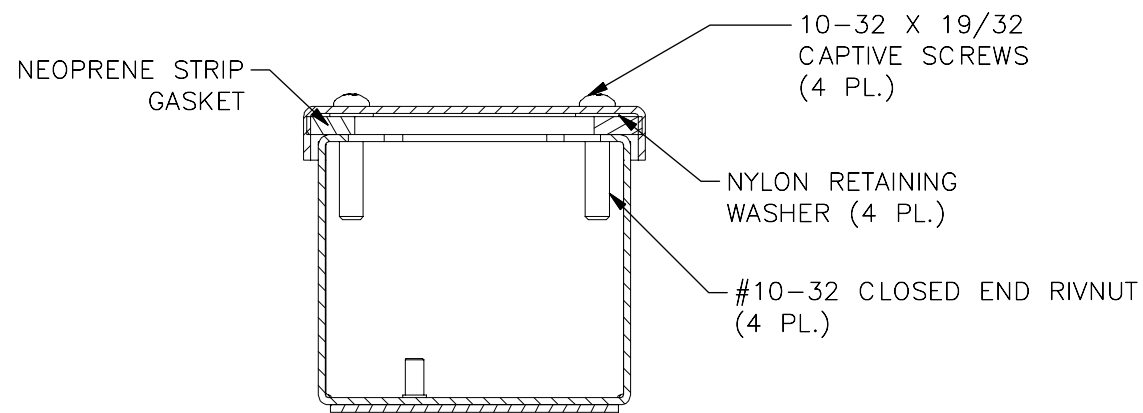


LEFT VIEW

FRONT VIEW

RIGHT VIEW

FRONT VIEW TUB



SECTION A-A

PART#: PB2  
(DATA SUBJECT TO CHANGE WITHOUT NOTICE)

THIS DRAWING IS PROPERTY OF HUBBELL INC. WIEGMANN  
ALL INFORMATION IS PROPRIETARY AND NOT TO BE DUPLICATED