



# Fire Barrier IC 15WB+ Sealant



**SYSTEM COMPATIBLE**



FILL, VOID OR CAVITY MATERIALS  
FOR USE IN JOINT SYSTEMS AND  
THROUGH-PENETRATION FIRESTOP SYSTEMS  
SEE UL DIRECTORY OF PRODUCTS CERTIFIED FOR CANADA  
SEE UL FIRE RESISTANCE DIRECTORY  
90G9

## Product Data

### 1. Product Description

3M™ Fire Barrier IC 15WB+ Sealant is a latex sealant designed for use as a one-part fire, smoke, noxious gas and water resistant sealant. In addition, the unique intumescent property of this material (expands when heated) means that as the combustible pipe, cable or pipe insulation is consumed by fire, the sealant expands to maintain the penetration seal.

3M Fire Barrier IC 15WB+ Sealant can be installed with a standard or bulk caulking gun, pneumatic pumping equipment or it can be easily applied with a putty knife or trowel. Sealant bonds to gypsum wallboard, concrete, metals, wood, plastic and cable jacketing. No mixing is required. Tool within 5 minutes of application, if required.

#### 3M Fire Barrier IC 15WB+

##### Features

- Water Base: Easy clean up, no special handling, routine disposal.
- Intumescent: Expands when heated to maintain seal around items consumed by fire.
- Endothermic: Absorbs heat energy, releases chemically bound water.
- Thixotropic: Will not sag or run in overhead or vertical applications.
- Halogen-free.
- Fast dry: Tack-free in approximately 8 to 12 minutes @ 73°F (23°C).
- Paintable. Best results obtained after 72 hour cure.
- Minimal shrinkage.
- Yellow color.
- High flow rate: 2000 g/min. with 1/4 in. (6 mm) nozzle.
- Point contact allowed.
- Continuous operating temperature not to exceed 120°F (48°C).

### 2. Applications

Use 3M Fire Barrier IC 15WB+ Sealant to firestop the following construction voids:

- Blank openings
- Metallic pipes
- Non-metallic pipes
- Cables
- Cable trays
- Insulated pipes
- Busways
- HVAC vents and ducts
- Combinations
- Bottom of wall construction joints

The product will restore fire rated construction to its original integrity when installed in accordance with the applicable listed UL system.

### 3. Physical Properties

Unit	Volume	Units/ Ctn.
10.1 fl. oz. (0,29 L) Cartridge	18.2 cu. in. (298 cu. cm)	12
20.0 fl. oz. (0,59 L) Sausage	36.0 cu. in. (591 cu. cm)	10
27.0 fl. oz. (0,79 L) Cartridge	48.7 cu. in. (798 cu. cm)	6
4.5 gallon (17,0 L) Pail	1039.0 cu. in. (17034 cu. cm)	1

## 4. Specifications

### Product

The firestopping sealant shall be a one-part, intumescent, latex elastomer. The sealant shall be capable of expanding a minimum of 2 times at 1000°F. The material shall be thixotropic and be applicable to overhead, vertical and horizontal firestops. The sealant shall be listed by independent test agencies such as UL, FM or OPL and be tested to, and pass the criteria of, ASTM E 814 (UL 1479) standard test method for fire tests of through-penetration fire stops and ASTM E 1966 (UL 2079) standard test method for fire-resistive joint systems.

### Typically Specified Divisions

Division 7	Thermal and Moisture Protection
07840	Firestopping

## 5. Performance

### A. Typical Physical Properties

Tack Free Time (ASTM C679-87):	8 to 12 minutes @73°F (23°C)
Expansion at 662°F (350°C):	2.0
Color:	Yellow
Density:	12.0 lb./gal. (1,43 kg/L)
Adhesion:	Very good on all construction substrates
Application:	Caulk guns, trowel, spatula, pressurized pumps
Durometer Hardness (Shore A):	70
Solids:	80% by weight
VOC:	0
Odor:	Pleasant non-irritating
Flow Rate:	2000 grams/min. from 1/4 in. (6,35 mm) nozzle at 50 psi
ASTM E 84: Flame Spread:	0
Smoke Development:	0
Boeing Flow (Sag Characteristics):	<2 in. (5,08 cm) in 5 minutes

### B. Firestopping Properties

Meets the criteria of ASTM E 814 (UL 1479) standard test method for fire tests of through-penetration fire stops tested under positive pressure, and ASTM E 1966 (UL 2079) standard test for fire-resistive joint systems. Consult current UL Fire Resistance Directory for listed systems.

## 6. Installation Techniques

Shown are examples of approved applications of IC 15WB+ Sealant. Additional drawings and details are available from 3M Authorized Fire Protection Products Distributors.

### Installation Notes:

1. Metal Pipe/Conduit applications through nominal 10.75 in. (273,0 mm) outside diameter.

- Installed depth of IC 15WB+ Sealant 1/2 in. (12,7 mm).
- Refer to appropriate system for annular space requirement.
- Minimum 4 pcf mineral wool for backing.

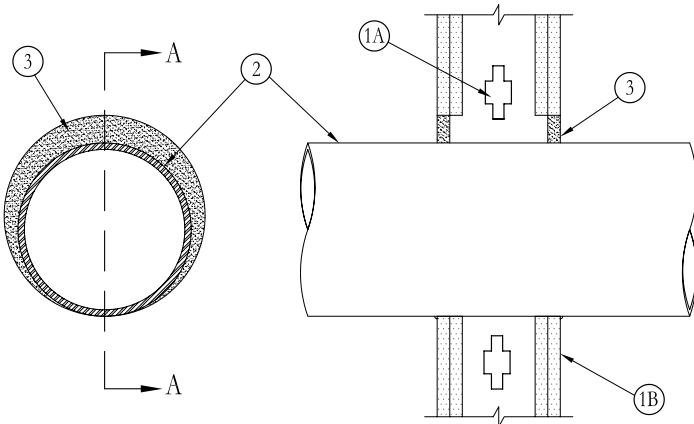
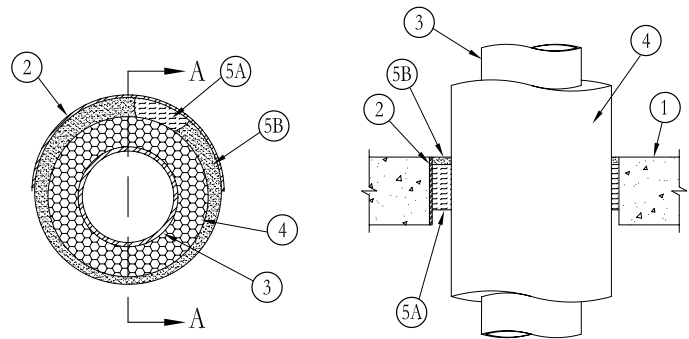
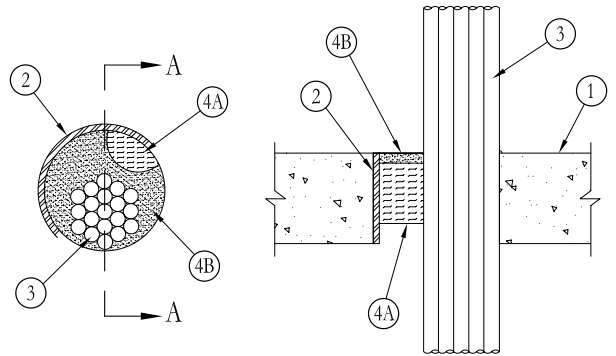
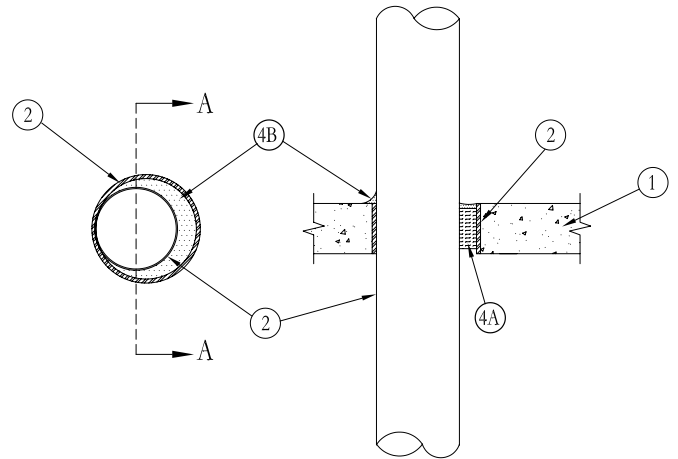
2. Insulated Cable Applications

- A 1/2 in. (12,7 mm) minimum depth of IC 15WB+ Sealant.
- All cases require mineral wool (safing) for backing.

3. Fiberglass Insulated Pipe Applications

- Refer to appropriate system for insulation thicknesses, annular space, mineral wool and sealant application.

## Typical Penetration Firestops For Metal Pipe/Conduit, Insulated Cable and Fiberglass Insulated Pipe Through Fire Rated Constructions



## 7. Maintenance

3M Fire Barrier IC 15WB+ Sealant is stable under normal storage conditions and has a one year shelf life. Stock rotation is recommended. Store between 40°F (4°C) and 90°F (32°C) for maximum shelf life. Keep from freezing during storage.

## 8. Purchase Information

3M Fire Barrier IC 15WB+ Sealant is available from 3M Authorized Fire Protection Products Distributors. For information on where to buy, go to [www.3m.com/firestop](http://www.3m.com/firestop) or call (800) 328-1687.

## 9. Safe Handling Information

**Consult Material Safety Data Sheet prior to handling and disposing of 3M Fire Barrier IC 15WB+ Sealant.**

\*FGG/BM® System Compatible indicates this product has been tested and is monitored on an on going basis to assure chemical compatibility with FlowGuard Gold®, BlazeMaster®, and Corzan® pipe and fittings.

FGG/BM®, FlowGuard Gold®, BlazeMaster® and Corzan® are registered trademarks of Noveon IP Holdings Corp.

### Warranty and Limited Remedy

This product will be free from defects in material and manufacture for a period of ninety (90) days from date of purchase. **3M MAKES NO OTHER WARRANTIES INCLUDING, BUT NOT LIMITED TO, ANY IMPLIED WARRANTY OF MERCHANTABILITY OR FITNESS FOR A PARTICULAR PURPOSE.** User is responsible for determining whether the 3M product is fit for a particular purpose and suitable for user's method of application. If this 3M product is proved to be defective within the warranty period stated above, your exclusive remedy and 3M's sole obligation shall be, at 3M's option, to replace or repair the 3M product or refund the purchase price of the 3M product.

### Limitation of Liability

**Except where prohibited by law, 3M will not be liable for any loss or damage arising from the use of this 3M product, whether direct, indirect, special, incidental or consequential, regardless of the legal theory asserted, including warranty, contract, negligence or strict liability.**



### **Building Safety Solutions Department**

3M Center, 223-2S-24  
St. Paul, MN 55144-1000  
(800) 328-1687  
[www.3m.com/firestop](http://www.3m.com/firestop)

Printed in U.S.A.

Bolger 5060101  
© 3M 2005 98-0400-5077-9