

INSTRUCTION/INSTALLATION SHEET SINGLE SOURCE 4 ZONE AUDIO DISTRIBUTION HUB

IS-0320 REV. 0

1. Introduction

The On-Q /Legrand Single Source 4 Zone Audio Distribution Hub, PN F7396 (see **Figure 1**), is an integral part of the Category 5 Audio System. It is a component which, when combined with other essential components and your source equipment receiver, CD player, etc, creates a versatile whole-house audio system that will fill your rooms with high-quality sound for years to come. Category 5 technology is a new, innovative method of providing high quality audio to remote locations with a single 8-conductor cable such as Category 5. This technology provides many advantages over other conventional methods of audio distribution such as simple, single Category 5 wiring scheme, and infrared control of system components.



Figure 1

2. Description

All components of the Category 5 Audio System are wired centrally from the Category 5 Audio Distribution Hub located within the structured wiring enclosure. In addition to providing a central point of connection, the Hub distributes the necessary voltage to power the system. The Single Source Input and Volume Controls connect directly to the module utilizing RJ-45 connections. The system can support multiple modules through “daisy chaining” the Audio Distribution Hubs.

NOTE: The 24 volt, 2.5 amp Power Supply, PN F7723, is not included and must be purchased separately.

3. Installation

Installation of the On-Q/Legrand Audio Distribution Hub and related components, is best accomplished at multiple times during new construction, at “Rough-in” before the drywall is installed, and at “Trim-out” after the drywall is installed and painted.

IMPORTANT: Read the manuals that are included with all associated Category 5 Audio products before installation of any single component! If you are unsure of any of the following installation procedures contact On-Q/Legrand Technical Support @ 1-800-321-2343 option 1 or contact an On-Q/Legrand installer.

NOTE: The Category 5 Audio Distribution Hub provides power to all of the components of the Category 5 Audio System.

NOTE: To provide ultimate flexibility for future products, run two Category 5 cables from the Single Source Input to the Single Source 4 Zone Distribution Hub. Also, run a 16/2 or 16/4 speaker cable, along with the Category 5 cable, from the Single Source 4 Zone Distribution Hub to each volume control location.

INSTRUCTION/INSTALLATION SHEET SINGLE SOURCE 4 ZONE AUDIO DISTRIBUTION HUB

301 Fulling Mill Road, Suite G
 Middletown, PA 17057
 Phone (800) 321-2343 / Fax (717) 702-2546
 www.onqlegrand.com

IS-0320 REV. 0

A. "Rough-in" steps:

1. Run a Category 5 cable from the room location containing the Single Source Input (typically the entertainment center location) to the Category 5 Audio Distribution Module located in the Enclosure.
2. Run Category 5 cables from the room locations containing the Volume Controls to the Category 5 Audio Distribution Module located in the Enclosure.

B. "Trim-out" steps:

NOTE: Make sure that the Power Supply is not connected to the Audio Distribution Hub.

1. Install one or more Audio Distribution Hubs in the enclosure using the 4 corner plungers.

2. Terminate all Category 5 cables with RJ-45 plugs using the T568A wiring standard.
3. Connect the Single Source Input AUDIO OUT jack via a Category 5 jumper such as the 36" PN 363201-30, to a wall jack with an RJ-45 insert. This jack in turn should be wired to the SOURCE IN jack of the Audio Distribution Hub (see **Figure 2**).
4. Connect the Category 5 cables coming from the room locations containing the Volume Controls to the Zone Output jacks on the Audio Distribution Hub (see **Figure 2**).
5. If applicable, connect additional Audio Distribution Hubs together by connecting a Category 5 jumper cable from the CASCADE OUT jack on one Hub to the SOURCE IN jack on the other Hub.
6. Plug the 24 volt power supply cable into the Power jack on the Audio Distribution Hub.

7. Verify system functionality.

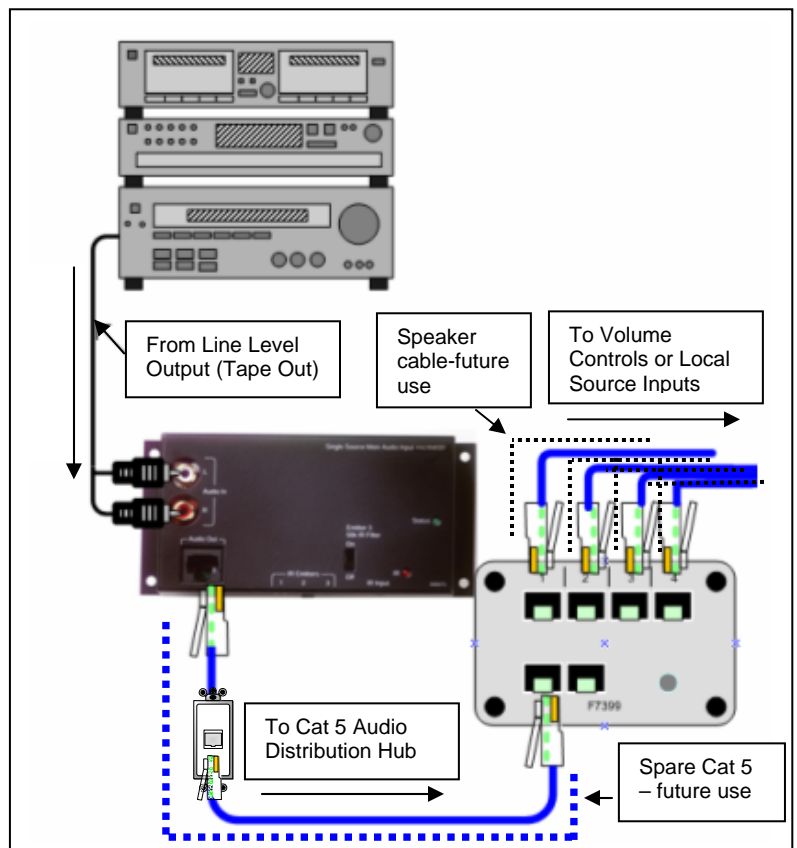


Figure 2



301 Fulling Mill Road, Suite G
Middletown, PA 17057
Phone (800) 321-2343 / Fax (717) 702-2546
www.onqlegrand.com

INSTRUCTION/INSTALLATION SHEET

SINGLE SOURCE 4 ZONE AUDIO

DISTRIBUTION HUB

IS-0320 REV. 0

4. Important Safety Precautions:

READ ALL INSTRUCTIONS CAREFULLY BEFORE INSTALLING THE CATEGORY 5 AUDIO SYSTEM.

- **Do not** attempt to service, move or change any component of this system unless you are qualified to do so.
- This system should be installed by a qualified installer and must conform to all local building and electrical codes.
- **Do not** apply power to the Category 5 Audio System until all components have been installed and all wiring has been properly terminated.
- **Do not** attempt to terminate, change or un-install any wiring without first turning off power at the Category 5 Audio System which is located in the enclosure. Unplug the power transformer that is powering the Category 5 Audio System from the power outlet before proceeding with wiring terminations or changes.
- Install each component of this system away from heat sources such as HVAC ducts/registers, stoves or any other heat source.
- **Do not** expose any component that was designed for indoor use to moisture. Doing so can create electrical hazards or render the component unusable. Exposure to moisture will also void the warranty on the system.
- Only use a damp cloth to clean the cover plates of the system components. Do not use vacuum cleaners, liquid or aerosol cleaners.