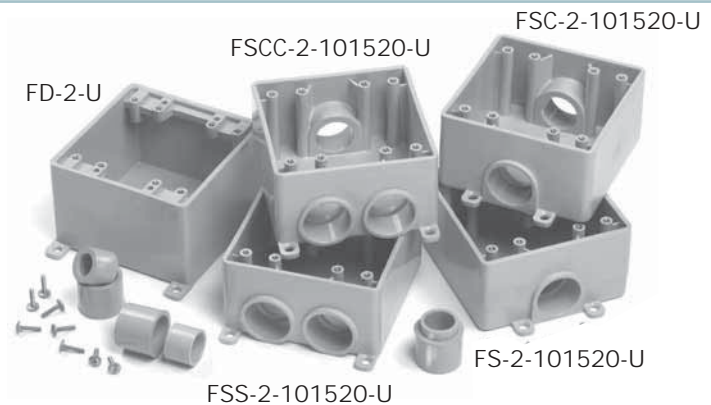


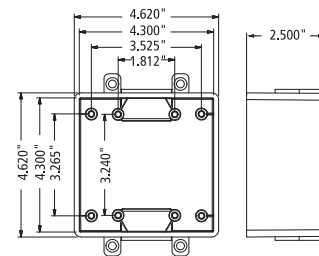
F SERIES DOUBLE GANG BOXES

FS-2-U cu.in = 38.5, FSC-2-U & FSS-2-U cu.in. = 37.0, FSCC-2-U cu.in. = 35.0, FD-2-U cu.in. = 47.5
 With the exception of the FD-2 Blank Box, Scepter F Series Double Gang Boxes are molded with 1" conduit hubs and supplied with reducer bushings. The conduit hub(s) are field modified as 1/2", 3/4" or 1" to accommodate job-site requirements. The appropriate quantity of 1" x 3/4" and 3/4" x 1/2" reducers to create the desired hub size are packaged with each F Series Double Gang Box.



Hub Size (inches)	Part Number	Product Code	OD (inches)			Volume (in ³)
			H	W	E	
1/2, 3/4, 1	FS-2-101520-U	077364	4.62	4.62	2.5	38.5
1/2, 3/4, 1	FSC-2-101520-U	077368	4.62	4.62	2.5	37.0
1/2, 3/4, 1	FSS-2-101520-U	077372	4.62	4.62	2.5	37.0
1/2, 3/4, 1	FSCC-2-101520-U	077369	4.62	4.62	2.5	35.0
* Blank	FD-2-U	077649	4.75	4.75	3.0	47.5

* Not UL Listed

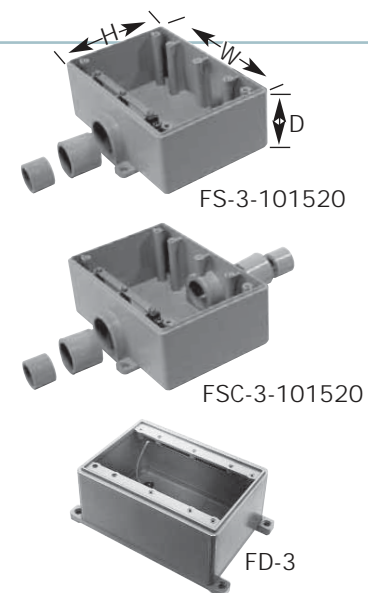


F SERIES TRIPLE GANG BOXES

With the exception of the FD-3 Blank Box, Scepter F Series Triple Gang Boxes are molded with 1" conduit hubs and supplied with reducer bushings. The conduit hub(s) are field modified as 1/2", 3/4" or 1" to accommodate job-site requirements. The appropriate quantity of 1" x 3/4" and 3/4" x 1/2" reducers to create the desired hub size are packaged with each F Series Triple Gang Box.

Hub Size (inches)	Part Number	Product Code	OD (inches)			Volume (in ³)
			H	W	D	
1/2, 3/4, 1	FS-3-101520	077337	4.5	6.6	2.5	56.0
1/2, 3/4, 1	FSC-3-101520	077438	4.5	6.6	2.5	54.0
* Blank	FD-3	077737	4.5	6.6	3.0	73.8

* Not UL Listed



Note: All F Series boxes are supplied with integral mounting feet, threaded brass inserts and grounding clips or bars.