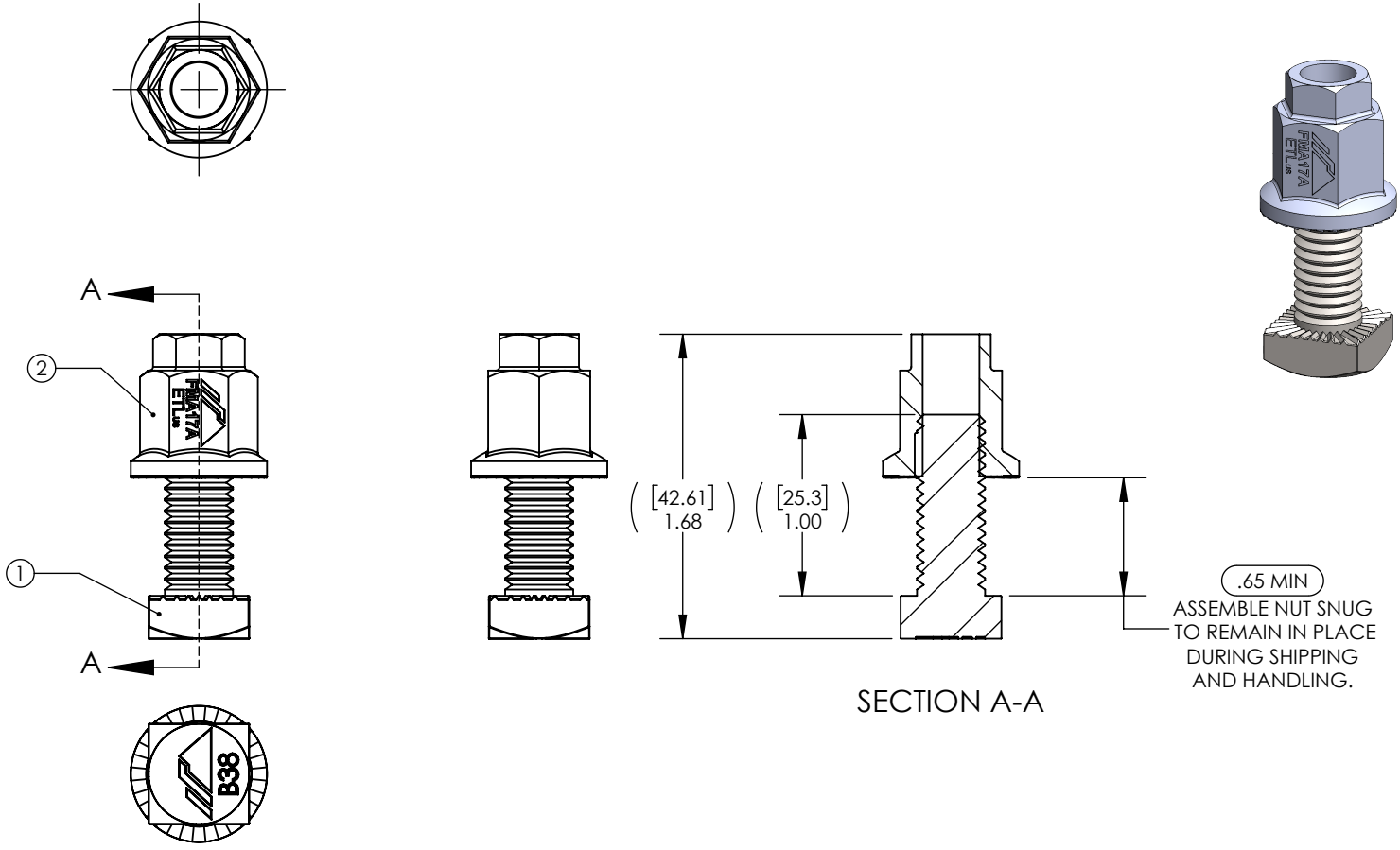


ITEM NO.	PART NUMBER	DESCRIPTION	QTY.	REV.
1	23-37BB-100PT	BOLT, BONDING 3/8-16 X 1.00" LG SQ HEAD, LOCK SS	1	A
2	25-25LF-018	NUT, BONDING STEP (TAP THRU)	1	A

REV.		DESCRIPTION	DATE	APPROVED
A		PRELIMINARY DESIGN (ECR 144)	01/09/2017	SO



UNLESS OTHERWISE SPECIFIED:

1. ASSEMBLE AS SHOWN.
2. CRITICAL DIMENSIONS DENOTED BY OVAL.
3. PART SHALL BE CLEAN AND FREE OF DIRT, OIL OR OTHER DEBRIS.
4. PART MUST BE FREE OF DISCOLORATION, CONTAMINATION, BLEMISHES OR ANY OTHER AESTHETIC DEFECTS.
5. COMPONENTS TO BE PACKAGED IN MANNER AS TO PREVENT SCRATCHING OR OTHER DAMAGE DURING SHIPPING.

THIRD ANGLE PROJECTION			DRAWN	SO	12/21/2016
			CHECKED	JN	01/09/2016
			ENG APPR.	JA	01/09/2017
DO NOT SCALE DRAWING			MFG APPR.	JN	01/09/2017
			Q.A.	BH	01/09/2017
PROPRIETARY AND CONFIDENTIAL THE INFORMATION CONTAINED IN THIS DRAWING IS THE SOLE PROPERTY OF IRONRIDGE INC. ANY REPRODUCTION IN PART OR AS A WHOLE WITHOUT THE WRITTEN PERMISSION OF IRONRIDGE INC. IS PROHIBITED.			INTERPRET DIM AND TOLERANCE PER ASME Y14.5[M]-2009		
			DIMENSIONS TOLERANCES ARE IN:		
			INCHES.		(MILLIMETERS)
			.XX: +/- .030	.X: +/- .75	
			XXX: +/- .010	.XX: +/- .25	
			ANGLES: +/- 1°		

IRONRIDGE

ASSY, SQUARE BOLT BONDING HARDWARE

SIZE	DWG. NO.	REV.
A	FM-100-025	A

SCALE: 1:1 WEIGHT: 0.09 LBS SHEET 1 OF 1