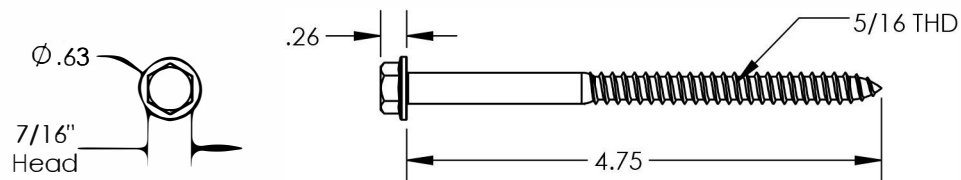


ITEM NO.	DESCRIPTION
1	BOLT LAG 5/16 X 4.75"
2	ASSY, FLASHING
3	ASSY, CAP
4	WASHER, EPDM BACKED

### FLASHFOOT 2

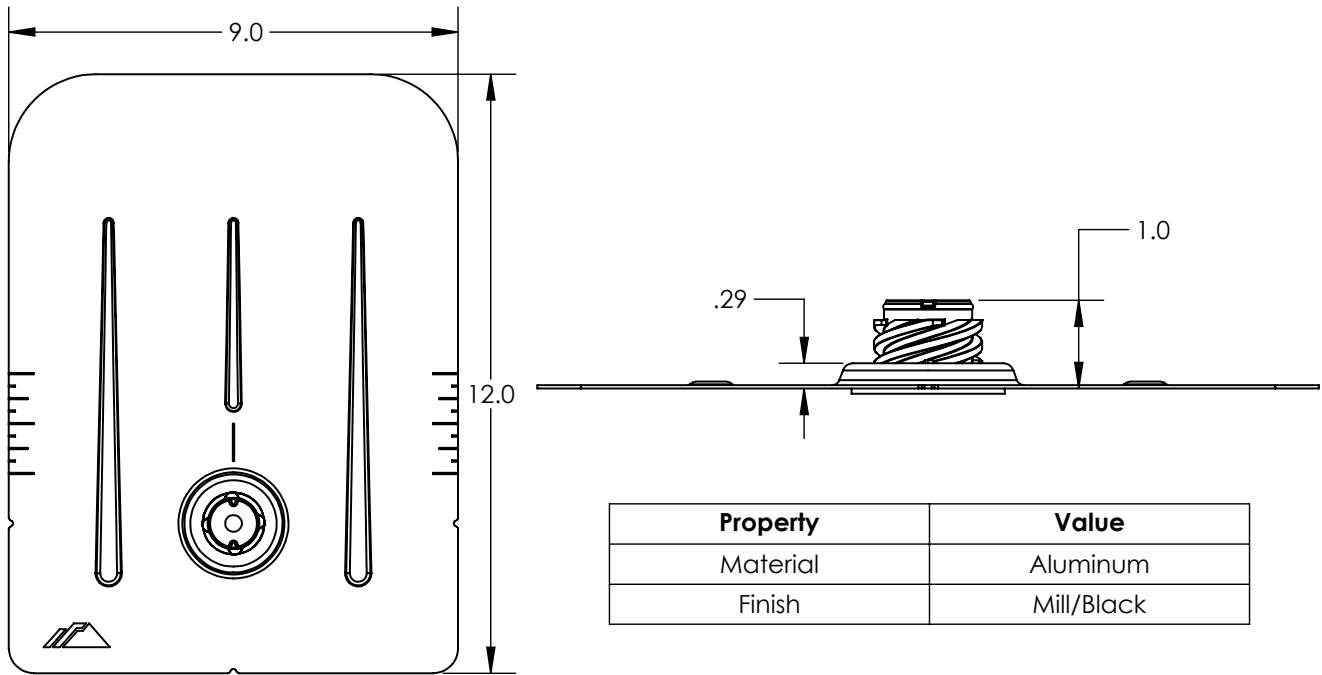
Part Number	Description
FF2-01-M1	FLASHFOOT2, MILL
FF2-01-B1	FLASHFOOT2, BLACK

#### 1) Bolt, Lag 5/16 x 4.75

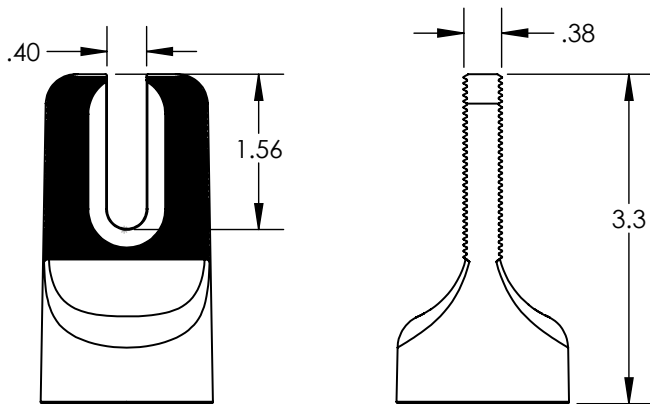


Property	Value
Material	300 Series Stainless Steel
Finish	Clear

2) Assy, Flashing

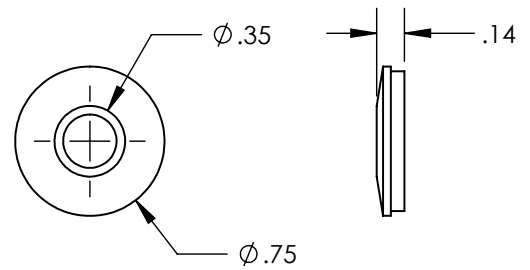


3) Assy, Cap



Property	Value
Material	Aluminum
Finish	Mill/Black

4) Washer, EPDM Backed



Property	Value
Material	300 Series Stainless Steel
Finish	Clear