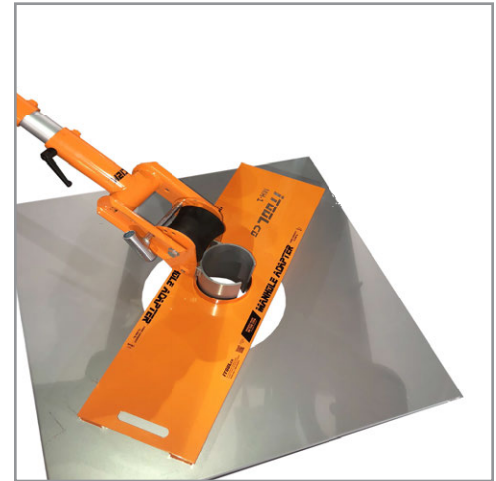
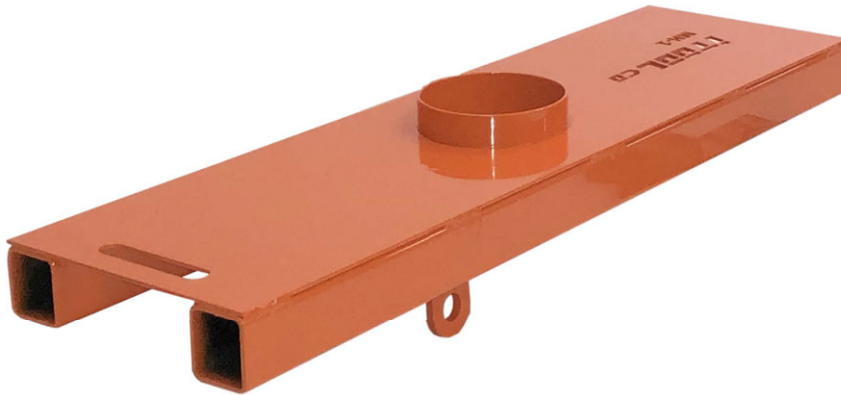


MANHOLE ADAPTER™

RELIABLE AND SECURE PULLING
OVER MANHOLES

iTOOLco.



Easily mount over manholes.



Convenient accessory hooks.



Unlimited versatility and ease of use.

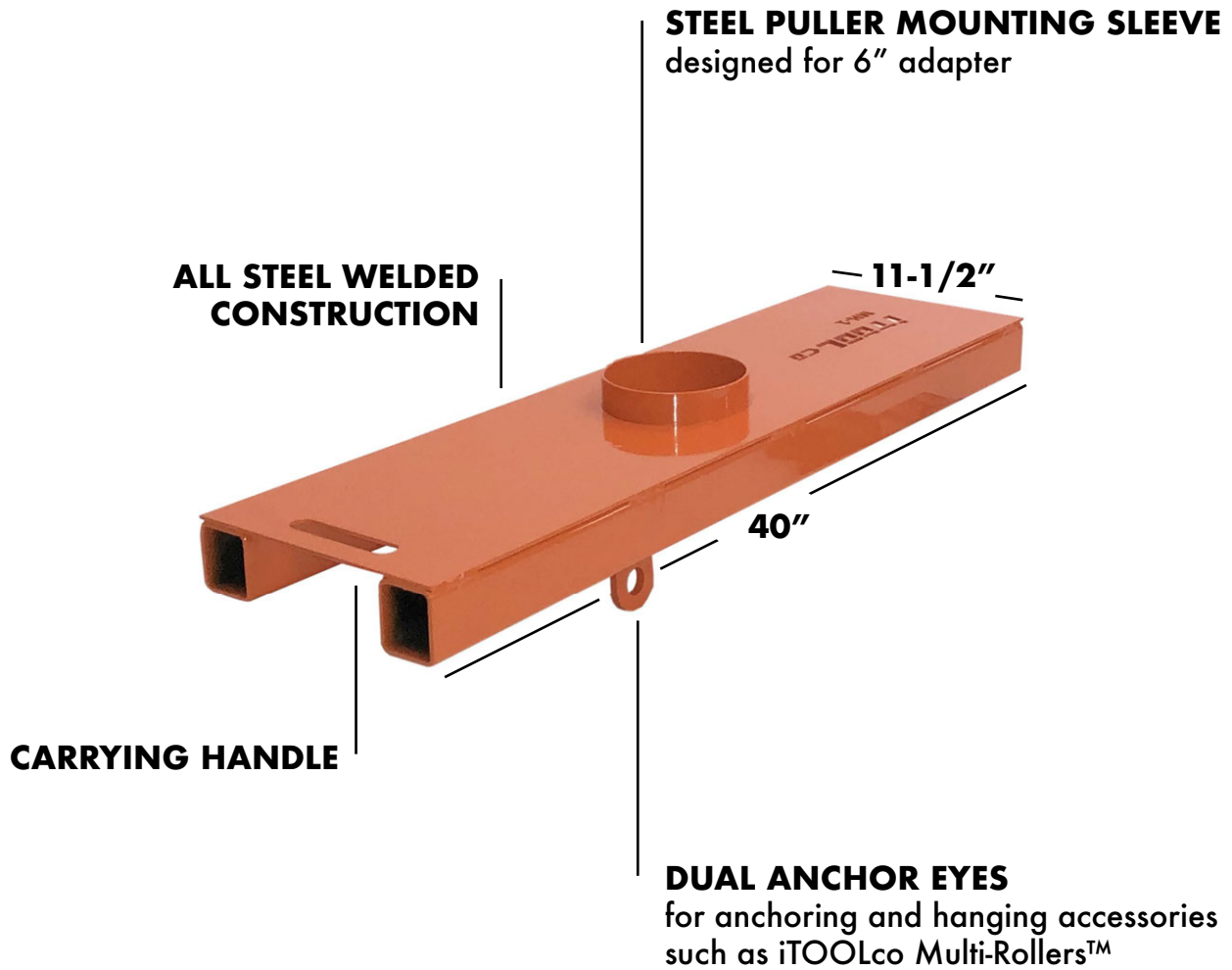
Get better stability and versatility when pulling wire over manholes with iTOOLco's Manhole Adapter™. Tough all steel construction provides a secure platform that fits 18" to 36" manholes. Simply use the frame to position the wire puller above the manhole, secure in place with steel anchoring points (provided), and begin pulling wire. Designed to work with every iTOOLco wire puller from the Cannon 6K™ up to the Cannon 12K™, the Manhole Adapter™ is also compatible with iTOOLco 24" and 36" Multi-Rollers™ and many other iTOOLco products.



MANHOLE ADAPTER™

RELIABLE AND SECURE PULLING
OVER MANHOLES

iTOOLco.



Model	Description	Specifications
MHA1	Manhole Adapter™	40"L x 11-1/2"W x 2-3/4"H 63 lb.

UPC #650270092344



Patent Pending