

LED DOCK LIGHT

DK SERIES

Project: _____

Fixture Type: _____

Location: _____

Contact/Phone: _____

Cat. No.: _____

PRODUCT DESCRIPTION

The AccuLite LED Dock Light is designed for shipping and warehousing operations where significant amounts of light are needed inside the trailers. With a powerful LED array this fixture can comfortably replace the old Metal Halide dock lights meeting the illumination requirements while providing lower glare and virtually no heat.

PRODUCT SPECIFICATIONS

Optics Supplied with 26° optics mounted on the LED board and a frosted lens that eliminates glare • The frosted lens is made of a 16H transmission acrylic.

Construction Fixture body is extruded aluminum with die cast aluminum door and side caps • The LED board is sealed inside the housing and attached directly to the aluminum body creating a strong thermal bond that lowers operating temperature and increases LED life • All gaskets are neoprene • Frosted lens acrylic • All exposed surfaces are polyester powder coated for a durable finish

Electrical The luminaire is equipped with one 40W LED driver with universal 120-240 0.5A, 277VAC 0.2A, 50/60Hz input • Drivers provide power to the LEDs with an output of 12-24 VDC, 1400mA, max 40W • Drivers are IP66 rated and RoHS compliant • Driver operating temperature range is -30°C (-22°F) through 50°C (122°F) • Total Harmonic Distortion (THD) 20% Max • Power factor > 0.92 at full load, 115VAC, 230VAC • Surge immunity > 1KVAC

Finish All surfaces are polyester powder coated for a lasting finish

Certification UL1598, CSA C22.2 250 • DK130 is suitable for damp locations • DKW130 is suitable for wet locations • Union made • Driver meets UL879, cUL1310 Class 2, cUL • FCC CE (EN55015, EN61347)

Specifications subject to change without notice.



ELECTRICAL DATA

	120V	277V
Input Power	37W	37W
Input Current - Max	0.42A	0.21A
Frequency	50/60Hz	50/60Hz
Minimum Starting Temperature	-30°C (-22°F)	-30°C (-22°F)

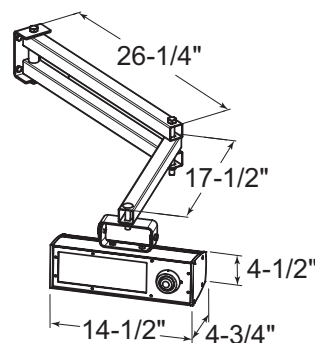
LED DATA

System Watts	CCT	CRI	Luminaire Initial Absolute Lumens
37W	4100K	80 Typical	1,421

LED LUMEN DEPRECIATION

Ambient Temperature (°C)	L ₇₀ Hours
40C	50,000

DIMENSIONS



Shown with 42" accessory arm

Cat. No.: _____

ORDERING INSTRUCTIONS - FIXTURE

Series	Electronics	Voltage	CCT	Mounting	Finish	Options
DK130	- L	- U	- 41K	- T	- WH	- M
DK130 Damp Location	L LED	U Universal 120-277VAC	41K 4100K	T Trunion	BZ Bronze	M Motion Sensor ²
DKW130 Wet Location				A Provision for Arm (must order arm separately) ¹ 120V versions only	BL Black WH White SY Safety Yellow	3SOW 3' Cord, included with all fixtures. 3 conductor 16 AWG (for other lengths, replace "3" with length in feet)

¹Provision for arm mounting can only be done for DK130 (damp location.) Includes a special cord and plug to connect to the arm. Arm must be ordered separately. Fixture finish is available in safety yellow only to match the arm finish. Arm operates only with 120VAC.

²Motion sensor is only available with DK130 (Damp location.)

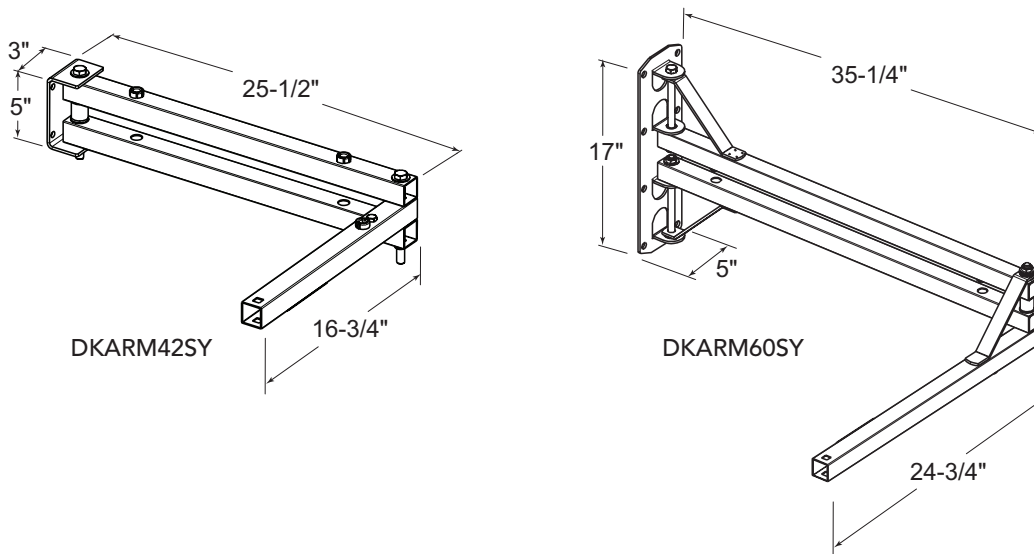
ACCESSORY ARTICULATED ARM (MUST BE ORDERED SEPARATELY)

DKARM42SY 42" Articulated arm, safety yellow only

DKARM60SY 60" Articulated arm, safety yellow only

Double Strut Mounting Arm The accessory, double strut mounting arm is constructed of 1 1/2" square steel tubes • A 3-conductor AC cord with a standard 3 prong plug is included • On/off switch controls power to the receptacle on the arm • The wall bracket is made of 3/16" steel. Arm operates only with 120VAC.

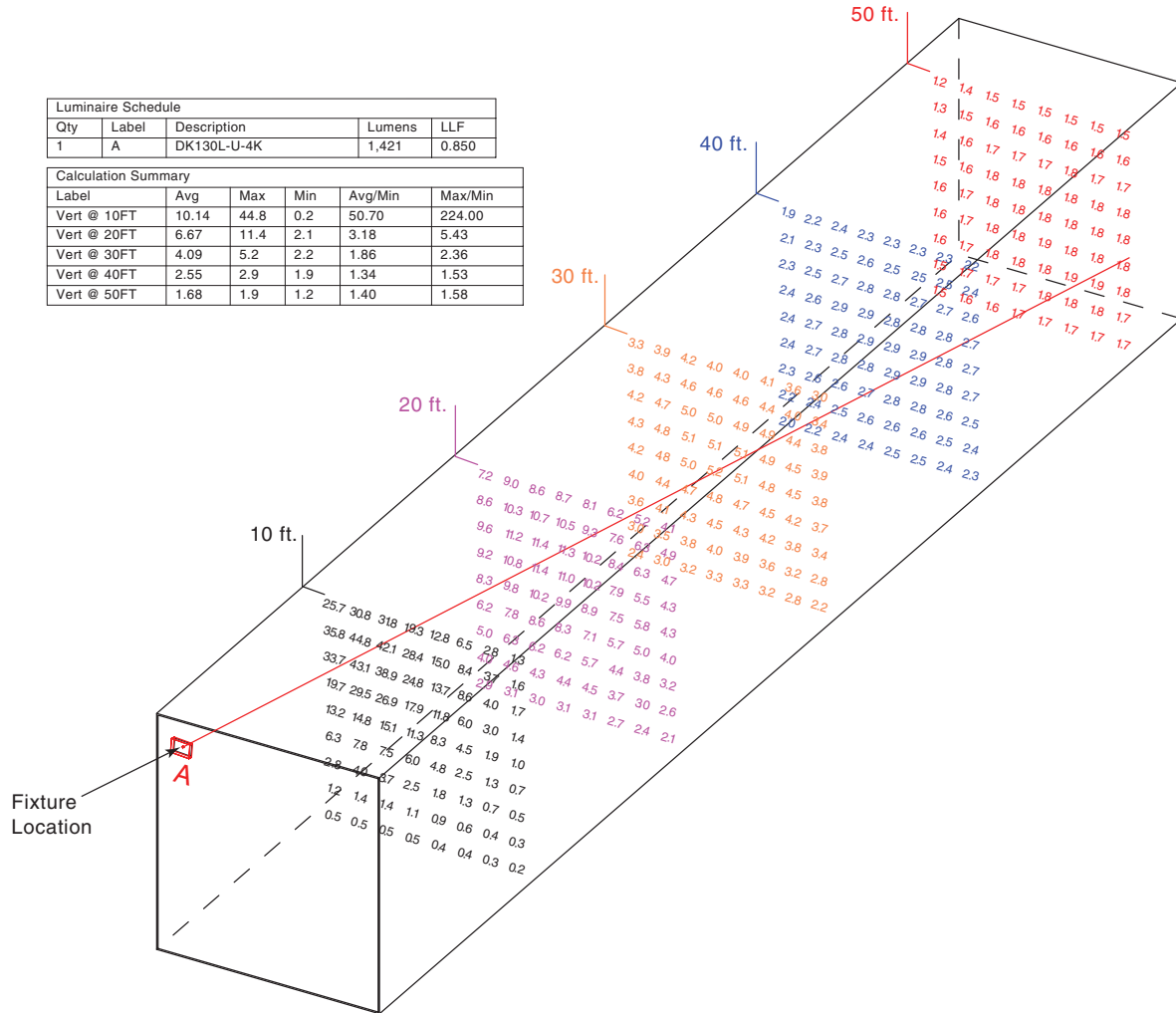
DIMENSIONS



PHOTOMETRICS

Luminaire Schedule				
Qty	Label	Description	Lumens	LLF
1	A	DK130L-U-4K	1,421	0.850

Calculation Summary					
Label	Avg	Max	Min	Avg/Min	Max/Min
Vert @ 10FT	10.14	44.8	0.2	50.70	224.00
Vert @ 20FT	6.67	11.4	2.1	3.18	5.43
Vert @ 30FT	4.09	5.2	2.2	1.86	2.36
Vert @ 40FT	2.55	2.9	1.9	1.34	1.53
Vert @ 50FT	1.68	1.9	1.2	1.40	1.58



Note: All photometry done by independent test lab according to IES LM-79-08