

Installation Instructions For TLR2, TLR4, TLR6, AND TLR8

Important Safety Instructions-Save these instructions

1. Read all of these installation instructions before installing the trac system.
2. Do not install this Trac in damp or wet locations.
3. Do not install any part of Trac System less than 5' above floor.
4. Do not install any fixture assembly closer than 6" from any curtain or similar combustible material.
5. Disconnect electrical power before adding to or changing the configuration of the Trac.
6. Do not attempt to energize anything other than lighting fixtures on the Trac. To reduce the risk of fire or electrical shock, do not attempt to connect power tools, extension cords, convenience receptacle adaptors, appliances or the like to the Trac.
7. This trac system is to be supplied by either Juno 12V transformer (TF5300, TF5300-277, TF5600, TF5600-277) or 24V transformer (TF5600-24V, TF5600277-24V, TF51200-24V, TF51200277-24V). Check with a qualified electrician before wiring trac. If 25 amps is exceeded anywhere in the installed trac system, an overload can occur, resulting in fire.
8. This trac is only to be used with Juno TLR series connectors and fittings. Use only fixtures intended for use with Juno TL or TLR series trac.
9. **Save these instructions** and refer to them when additions to or changes in the trac configuration are made.

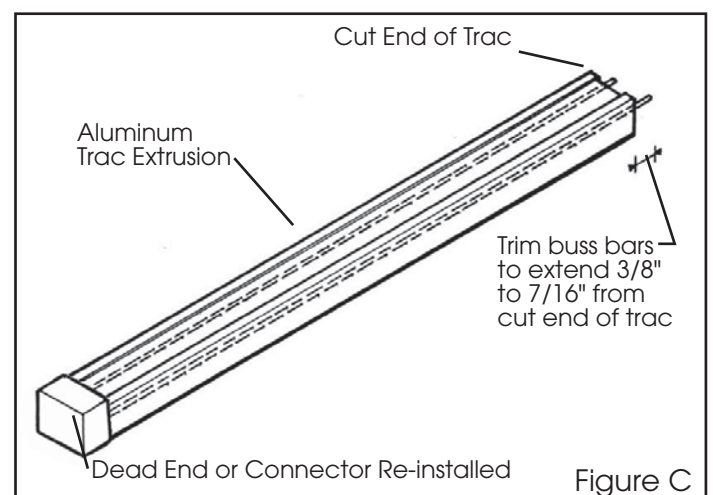
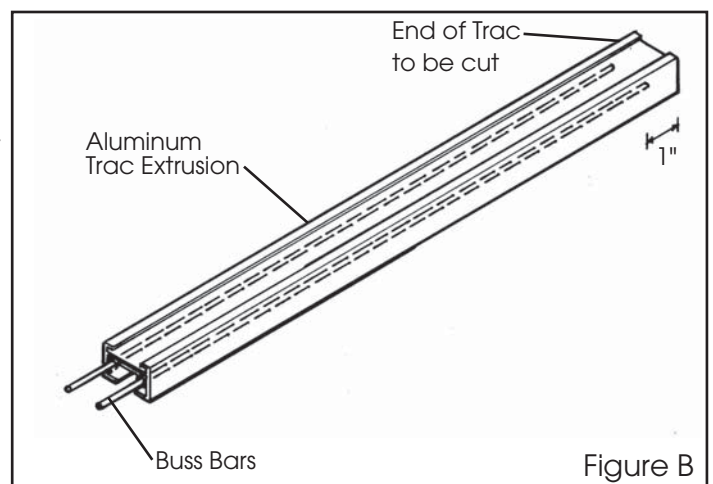
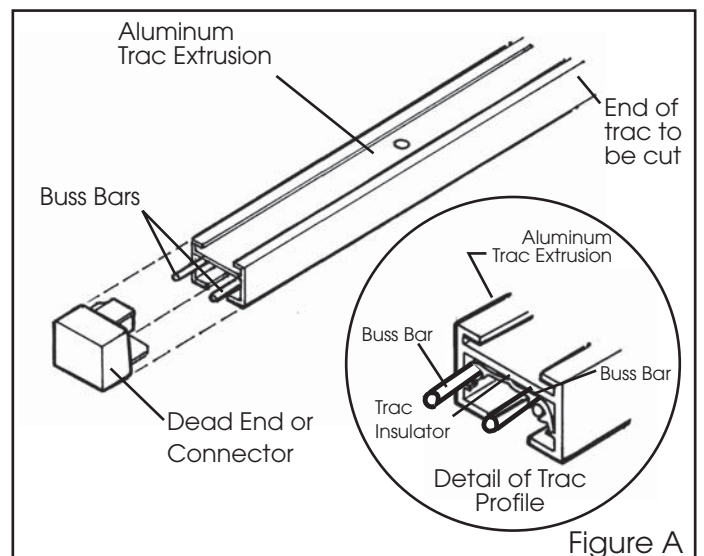
Field Cutting

Note: When cutting the trac, the aluminum extrusion and the track insulator must be the same length.
A fine tooth hacksaw is recommended for cutting.

1. Remove the dead end or connector from the end of the trac opposite where the cut will be made.
2. Push the insulator so it is flush with the end of the trac opposite the cut.
3. Measure and mark the trac to the desired length. See Figure A for details.
4. Slide buss bars so that they are at least 1" away from the mark, taking care to position them so that they are not cut at the same time as the trac and insulator. Cut trac and insulator to length and carefully de-burr the cut. No chips or filings can remain in the trac after cutting. Refer to Figure B.
5. Slide the buss bars back to the original position (before cut), reinsert the connector or dead end onto the factory cut end, and secure the connector to the trac via the pointed screw (do not tighten set screws at this time).
6. Push the buss bars toward the connector or dead end (factory cut side) until they bottom out and no further movement is possible. Tighten the set screws (if applicable) to 12-18 in/lbs (1-1.5 ft/lbs). Trim the buss bars on the field cut end so that 3/8" (min.) to 7/16" (max.) of both buss bars stick past the field cut end of the trac. See Figure C.
7. Insert the desired connector or reinstall dead end (by placing dead end over buss bars and tightening the mounting screw) onto the field cut end and make connections as outlined in the corresponding instructions.

Field Drilling

1. When a new mounting hole is required in a piece of trac it must be placed on the trac centerline. If the new hole is in the end of the trac section, it must be no closer than 2" nor farther than 6" from the end of the trac.
2. Locate and drill a 5/32" diameter hole through the trac and insulator. Carefully de-burr the hole and make sure there are no chips or filings that remain in the trac.
3. A minimum of two mounting holes is required per trac section. Maximum distance between mounting holes is 4'.



WARRANTY

Juno warrants that its products are free from defects in material and workmanship. Juno's obligation is expressly limited to repair or replacement, without charge, at Juno's factory after prior written return authorization has been granted. This warranty shall not apply to products which have been altered or repaired outside of Juno's factory. This warranty is in lieu of all other warranties, expressed or implied, and without limiting the generality of the foregoing phrase, excludes any implied warranty of merchantability. Also, there are no warranties which extend beyond the description of the product on the company's literature setting forth terms of sale.

Product Services phone # (888) 387-2212