

°LA-NIÑA HAND DRYER

LAN SERIES

VERSATILITY WITHIN REACH

Count on LA-NIÑA and you won't be disappointed. One model, three voltages: its versatility will amaze you! This multi-voltage hand dryer can be used in many different environments due to its four personalized operating modes. The LA-NIÑA hand dryer takes up very little wall space; only 4 inches deep! LA-NIÑA is a winner!

- **MULTI-PURPOSE AND MULTI-VOLTAGE**
ONE MODEL FOR ALL USES

- **FOUR PERSONALIZED OPERATING MODES**
CONTROLLED BY A CIRCUIT BOARD TO BETTER MEET ALL YOUR NEEDS

- **VERY QUIET**
IN HARMONY MODE

- **ENERGY EFFICIENT**
IN ECONOMICAL AND HARMONY MODES

- **RAPID INSTALLATION AND SERVICE**

- **STYLISH AND COMPACT**
DEPTH OF 4 INCHES OR LESS; MEETS ADA STANDARDS (*AMERICANS WITH DISABILITIES ACT*)



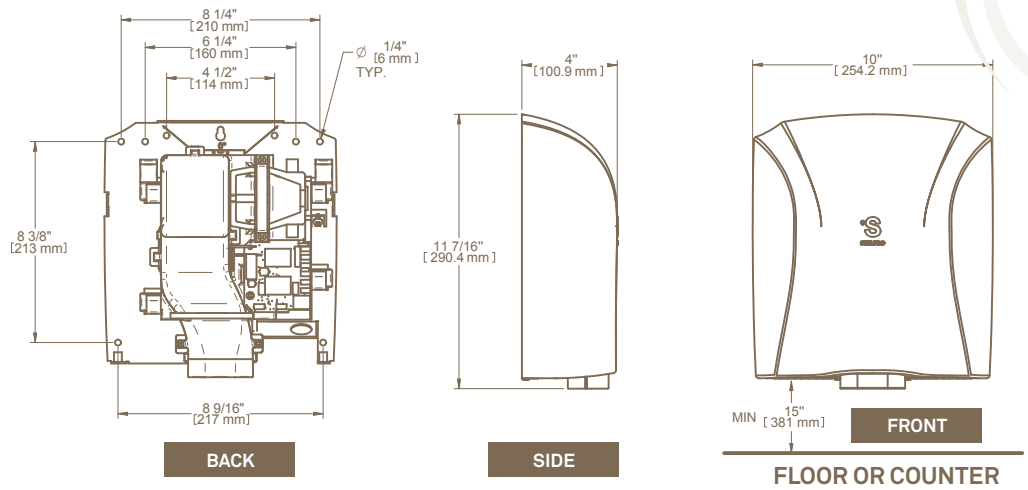
OPERATING MODES



The LA-NIÑA's built-in electronic control provides you with the option to personalize your unit to meet all your needs. The unit is controlled by an internal circuit board. The LA-NIÑA and EL-NIÑO hand dryers have the same circuit board. For a more detailed description of the four modes, refer to page 12.

MODE	NOISE LEVEL	AIR SPEED	TOTAL POWER	DRYING TIME
	DB	PCM	WATTS	SECONDS
ULTIMATE	69	108	1350	30
COMFORT	63	78	910	35
ECONOMICAL	69	108	135	40
HARMONY	63	78	65	45

TECHNICAL DRAWINGS



TECHNICAL SPECIFICATIONS

PRODUCT	POWER	VOLTAGE	AMPERAGE	COLOUR	WEIGHT	PRICE	
CODE	WATTS*	VOLTS	AMP.		KG	LB	
LANV1200AW	1350	120/208/240	11	white	2.5	5.5	412.00

* Data obtained in Ultimate mode. This hand dryer is multi-voltage for 120V/208V/240V and will automatically adjust power to optimize performance.

RECOMMENDED INSTALLATION HEIGHTS

Distance between floor and bottom of hand dryer

MEN	WOMEN	TEENAGERS	CHILDREN	HANDICAPPED
45" (115 cm)	43" (110 cm)	41" (105 cm)	35" (90 cm)	37" (95 cm)

3 LEVELS OF DETECTION

Adjust the sensitivity level of your hand dryer to meet usage requirements.



MAXIMAL DETECTION – STANDARD (APPROX. 4 IN.)



MEDIUM DETECTION – DECREASED (APPROX. 3 IN.)



MINIMAL DETECTION – MINIMUM (APPROX. 2 IN.)

Detection distances may vary depending on lighting conditions.



FEATURES

COLOUR

white

MANUFACTURING

- Lexan rib reinforced shell; lightweight and resistant
- secured to wall bracket with two stainless steel tamper-proof bolts

WATTAGE AND VOLTAGE

- multi-voltage
- see technical specifications table

ELEMENT

nichrome element located in the motor section

CONTROL

- four personalized operating modes to meet your needs
- infrared optical sensor located next to the air outlet activates and deactivates the hand dryer
- 60-second lockout feature is activated if hands are not removed before this time

INSTALLATION

surface mounted: depth of 4 inches or less; meets ADA standards (*Americans with Disabilities Act*)