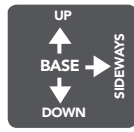


# PL RETROFITS 4 PIN TYPE A/B UNIVERSAL



## Universal PL Lamps

- Universal products operate on 120-277V or a compatible ballast
- 10W, 11W and 12W replacing up to 42W CFL lamps
- Available in 2700K, 3000K, 3500K, 4000K and 5000K color temperatures
- Up to 1,600 lumen output
- Suitable for damp environments and semi-enclosed recessed fixtures
- Rotating base on LED-7324 allows for optimal light output



← omni-directional



LED-7318

rotating base →

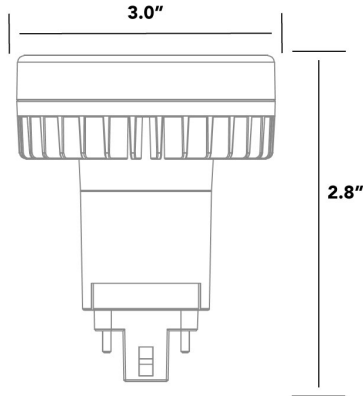


LED-7324

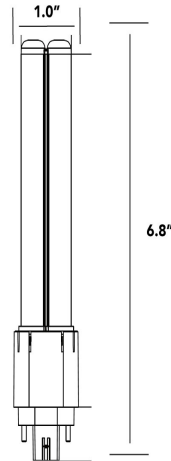
PART #	REPLACES UP TO	WATTAGE	LUMENS	CCT (K)	BASE
LED-7318-40A	26W 4 Pin CFL	12W	1198	4000K	G/GX24q
LED-7320-40K-G3	42W 4 Pin CFL	10W	1600	4000K	G/GX24q
LED-7324-40K-G3	42W 4 Pin CFL	11W	1200	4000K	G/GX24q



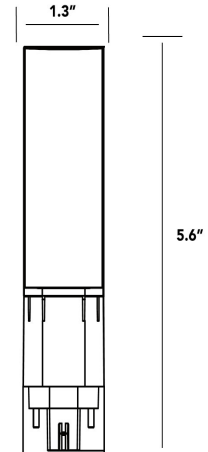
# PL RETROFITS 4 PIN TYPE A/B UNIVERSAL



LED-7318



LED-7320



LED-7324

## ORDERING GUIDE

PART #	UPC	REPLACES	WATTAGE	LUMENS	CCT (K)	BASE
LED-7318-27A	844006073503	26W 4 Pin CFL	12W	837	2700K	G/GX24q
LED-7318-35A	844006073510	26W 4 Pin CFL	12W	1157	3500K	G/GX24q
LED-7318-40A	844006073527	26W 4 Pin CFL	12W	1198	4000K	G/GX24q
LED-7320-27K-G3	844006024703	42W 4 Pin CFL	10W	1350	2700K	G/GX24q
LED-7320-35K-G3	844006024727	42W 4 Pin CFL	10W	1550	3500K	G/GX24q
LED-7320-40K-G3	844006024734	42W 4 Pin CFL	10W	1600	4000K	G/GX24q
LED-7320-50K-G3	844006024741	42W 4 Pin CFL	10W	1635	5000K	G/GX24q
LED-7324-27K-G3	844006024758	42W 4 Pin CFL	11W	1050	2700K	G/GX24q
LED-7324-35K-G3	844006024772	42W 4 Pin CFL	11W	1125	3500K	G/GX24q
LED-7324-40K-G3	844006024789	42W 4 Pin CFL	11W	1200	4000K	G/GX24q
LED-7324-50K-G3	844006024796	42W 4 Pin CFL	11W	1200	5000K	G/GX24q

### Additional Notes:

- If using with a ballast, check compatibility list to ensure compatibility
- Instructions available on [led-llc.com](http://led-llc.com)
- Do not use in fully enclosed fixtures
- For dimming applications, LED-7330 or 7334 may work better

