



Light Efficient Design

SCREW-IN
RETROFITS



HIGH BAY

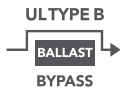


available
uplight
↓

- > Available in 90W, 135W & 150W models replacing up to 400W HID.
- > 8130 includes ring of uplight.
- > Dynamic temp control supports a longer, brighter life.
- > Pretested & potted drivers are burnt in 3x prior to shipping and protected against vibration & moisture.
- > Expertly engineered to work efficiently in open fixtures & damp environments, while also protected against insects & dust.
- > Dual stage MOV protection w/ integrated 10ka surge.
- > USA designed & specified LED driver.
- > Fanless design for silent operation — open fixtures only.
- > "D" models continuously dimmable down to 20% using a wired 0-10V dimming circuit. Lamps also include 12V auxiliary power for sensors.



ALSO WORKS
ON 208V & 240V



INSTALL
METHOD



MOGUL BASE



CRI



50,000hrs
RATED LIFE



-40°F to 122°F

OPERATING
TEMP



OPEN
FIXTURES



SURGE
PROTECTION

PART #	UPC	REPLACES	WATTAGE	LUMENS	COLOR	BASE
LED-8136M50	844006084097	250W HID	90W	11825	5000K	EX39
LED-8136M50D	844006080105	250W HID	90W	12900	5000K	EX39
LED-8132M50	844006084059	400W HID	135W	17095	5000K	EX39
LED-8132M50D	844006079994	400W HID	135W	19200	5000K	EX39
LED-8130M50	844006083991	400W HID	150W	19375	5000K	EX39
LED-8130M50D	844006077648	400W HID	150W	21200	5000K	EX39



LIGHT EFFICIENT DESIGN HEADQUARTERS 188 S. Northwest Highway • Cary, IL 60013
INNOVATION & MANUFACTURING CENTER 30 Log Bridge Road, Building 200 • Middleton, MA 01949
847.380.3540 • led-llc.com

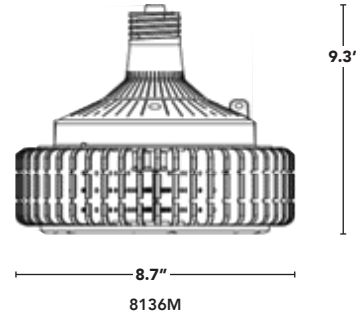
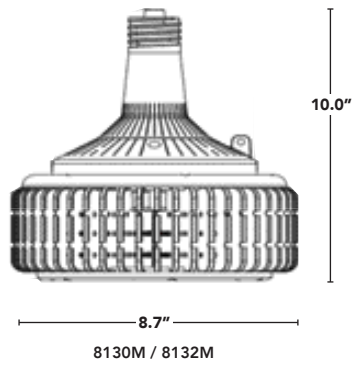
08.17.22 Information is subject to change without notice.



Light Efficient Design



HIGH BAY



PART #	UPC	REPLACES	WATTAGE	LUMENS	COLOR	BASE
LED-8136M40	844006084073	250W HID	90W	11825	4000K	EX39
LED-8136M40D	844006080037	250W HID	90W	12400	4000K	EX39
LED-8136M50	844006084097	250W HID	90W	11825	5000K	EX39
LED-8136M50D	844006080105	250W HID	90W	12900	5000K	EX39
LED-8132M40	844006084042	400W HID	135W	17055	4000K	EX39
LED-8132M40D	844006079970	400W HID	135W	18600	4000K	EX39
LED-8132M50	844006084059	400W HID	135W	17095	5000K	EX39
LED-8132M50D	844006079994	400W HID	135W	19200	5000K	EX39
LED-8130M40	844006083977	400W HID	150W	19285	4000K	EX39
LED-8130M40D	844006077624	400W HID	150W	20900	4000K	EX39
LED-8130M50	844006083991	400W HID	150W	19375	5000K	EX39
LED-8130M50D	844006077648	400W HID	150W	21200	5000K	EX39



HIGH BAY

🇨🇦 347 VOLT OPTIONS FOR CANADA 🇨🇦

PART #	UPC	REPLACES	WATTAGE	LUMENS	COLOR	BASE
LED-8136M40C	844006084080	250W HID	90W	12800	4000K	EX39
LED-8136M40CD	844006080044	250W HID	90W	12400	4000K	EX39
LED-8136M50C	844006084103	250W HID	90W	13200	5000K	EX39
LED-8136M50CD	844006080112	250W HID	90W	12900	5000K	EX39
LED-8132M40C	844006083984	400W HID	135W	18800	4000K	EX39
LED-8132M40CD	844006079987	400W HID	135W	18600	4000K	EX39
LED-8132M50C	844006084004	400W HID	135W	19000	5000K	EX39
LED-8132M50CD	844006080006	400W HID	135W	19200	5000K	EX39
LED-8130M40C	844006084042	400W HID	150W	21800	4000K	EX39
LED-8130M40CD	844006077631	400W HID	150W	20900	4000K	EX39
LED-8130M50C	844006084066	400W HID	150W	22000	5000K	EX39
LED-8130M50CD	844006077655	400W HID	150W	21200	5000K	EX39