

LED HIGH BAY PL

DESCRIPTION

The LED High Bay PL delivers top of the line efficiency, durability and versatility, resulting in significant energy savings, low maintenance and adaptability across a wide range of high ceiling applications.

The PL's unique look sets it apart from the competition, but there's more to this fixture than aesthetics. The polycarbonate prismatic lens distributes even illumination, minimizing glare while also guaranteeing long term durability. The die cast aluminum heat sink separates the LEDs from the driver, creating enhanced air flow, lower operating temperature and better efficiency.

Each unit is equipped with a sensor socket that can accommodate an add-on PIR or Microwave sensor, enabling occupancy detection and daylight harvesting, further reducing energy consumption and costs. For convenience, the sensor settings can be adjusted from the ground via remote control and each high bay can be fine tuned to adjust brightness, sensor range sensitivity, hold time and stand-by time.



FEATURES

- Plug-in sensor (optional PIR or microwave sensor)
- DLC Premium (140 LPW)
- Polycarbonate prismatic lens
- IP69K rated
- IK10 rated
- 100,000-hour rated life
- 10-year warranty
- Rated for indoor/outdoor use
- 120-277V & 277-480V available
- 0-10V dimming
- Hook, pendant or yoke mounting
- High temperature option (149°F)
- Corrosion resistant coating option
- 10' cord
- Safety cable

APPLICATIONS

- Warehouse & storage
- Industrial facilities
- Sports facilities & gyms
- Manufacturing facilities
- Retail centers

MOUNTING

- Hook
- Pendant
- Yoke

CERTIFICATIONS



SPECIFICATIONS

Average rated life (@L70): 100,000 hours

Warranty: 10 year

Ambient temperature

Standard fixture: -40°F to 115°F

High temperature fixture: -40°F to 149°F

Input voltage: 120-277V or 277-480V

Input frequency: 50/60 Hz

Surge protection: 10KV/5KA as per ANSI 82.77

THD: ≥ 20%

Power factor: ≥0.9

Beam angle: 110°

CRI: 83

Location rating: Wet

Dimming: 0-10V DC (dims to 6%)

IP rating: 69K

IK rating: 10

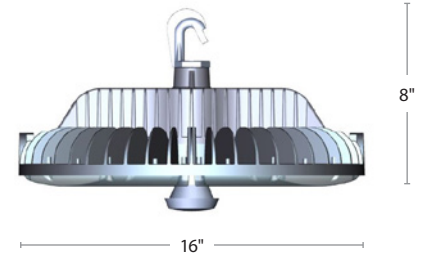
Weight: 15 lbs.

UL/cUL listed: Yes

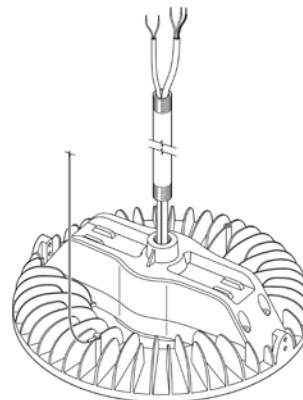
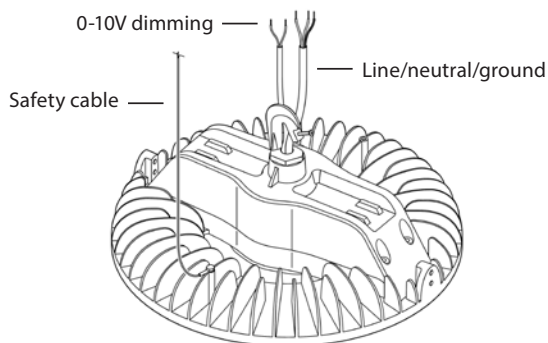
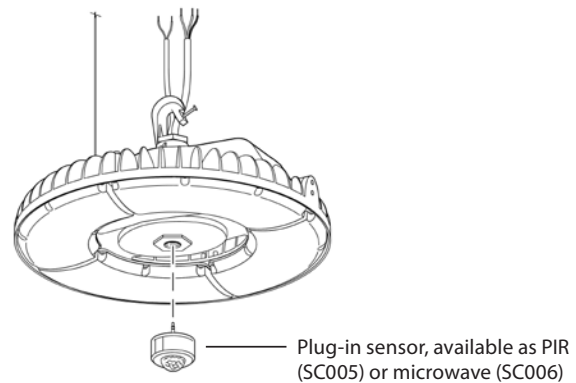
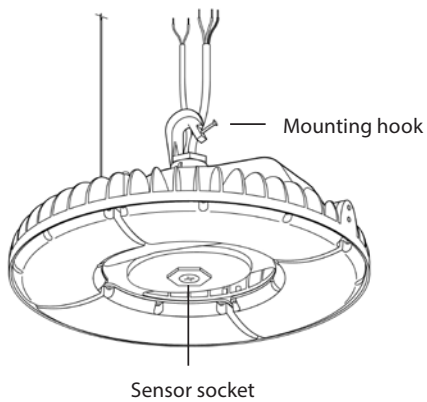
RoHS compliant: Yes

DLC rating: Premium

DIMENSIONS



PRODUCT OVERVIEW



ORDERING

STANDARD TEMPERATURE (-40°F TO 115°F)

WATTS	VOLTS	ORDERING CODE	DESCRIPTION	CCT (K)	LUMENS
115	120-277	HBC115W40DLP	115W 120-277V HIGH BAY IN 4000K	4000	16,100
		HBC115W50DLP	115W 120-277V HIGH BAY IN 5000K	5000	16,100
175		HBC175W40DLP	175W 120-277V HIGH BAY IN 4000K	4000	24,500
		HBC175W50DLP	175W 120-277V HIGH BAY IN 5000K	5000	24,500
240		HBC240W40DLP	240W 120-277V HIGH BAY IN 4000K	4000	33,600
		HBC240W50DLP	240W 120-277V HIGH BAY IN 5000K	5000	33,600
115	277-480	HBC115W50DLPHV	115W 277-480V HIGH BAY IN 5000K	5000	16,100
175		HBC175W50DLPHV	175W 277-480V HIGH BAY IN 5000K	5000	24,500
240		HBC240W50DLPHV	240W 277-480V HIGH BAY IN 5000K	5000	33,600

HIGH TEMPERATURE (-40°F TO 149°F) WITH CORROSION RESISTANT COATING

WATTS	VOLTS	ORDERING CODE	DESCRIPTION	CCT (K)	LUMENS
115	120-277	HBC115W50DLPT	115W 120-277V HIGH TEMP-CORROSION HIGH BAY IN 5000K	5000	16,100
175		HBC175W50DLPT	175W 120-277V HIGH TEMP-CORROSION HIGH BAY IN 5000K	5000	24,500
220		HBC220W50DLPT	220W 120-277V HIGH TEMP-CORROSION HIGH BAY IN 5000K	5000	30,800
175	277-480	HBC175W50DLPTHV	175W 277-480V HIGH TEMP HIGH BAY IN 5000K	5000	24,500
220		HBC220W50DLPTHV	220W 277-480V HIGH TEMP HIGH BAY IN 5000K	5000	30,800

ACCESSORIES

ORDERING CODE	DESCRIPTION	USAGE
SCR053	Remote Control for plug-in PIR and Microwave sensors	Used (on sensor model only) to adjust sensor settings after installation, from the ground. <ul style="list-style-type: none"> Brightness - Set the output level (in %) of connected lighting during occupancy Sensitivity - Set the range sensitivity for occupancy sensing in the area Hold time - Set the time that the sensor will hold after the area has been vacated Daylight harvesting - Set the threshold of natural light level Stand-by dim/time - Set the light level/time required after the hold time has elapsed Ability to pre-program 4 separate modes
SC005	Plug-in PIR Sensor	Enable occupancy sensing and daylight harvesting on pluggable fixtures.
SC006	Plug-in Microwave Sensor	Enable occupancy sensing and daylight harvesting on pluggable fixtures.
HBCAM01	Swivel Yoke Mount Bracket	Used (on standard model only) to direct light at various angles from wall or ceiling mounted position
EB23UQB	23W 120-277V Emergency Battery Backup unit with 18" conduit	Supplies 90 minutes of battery backup to the fixture in times of a power outage. This unit is not currently compatible with sensor usage.



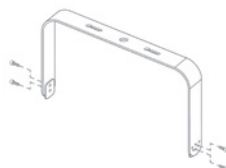
SCR053



SC005



SC006



HBCAM01



EB23UQB

HAVE QUESTIONS?

Our Customer Service team can help. Call us at 800-860-3392 or send an email to customerservice@litetronics.com