



S4000 Stainless Steel Raceway

Installation Instructions



S4000 Raceway Wire Fill Capacities for Power

POWER WIRING		WITHOUT DEVICES		WITH DEVICES	
Wire Size (AWG) (THHN/THWN)	O.D.	Non-Divided 40% Fill	Divided 40% Fill	Non-Divided 40% Fill	Divided 40% Fill
2	0.388	25	13	12	5
4	0.328	35	18	16	7
6	0.257	58	29	26	11
8	0.218	80	40	37	15
10	0.153	163	81	74	30
12	0.122	257	127	117	48
14	0.105	347	171	158	64

NOTES: 1) % Fill is based on use of Surge/GFCI style devices, mounted perpendicular in raceway.
2) Reduce wirefill by 20% when fittings are to be used in installation.

S4000 Data/Communication Wire Fill Capacities

CABLE TYPE	TELEPHONE CABLE-TYPE CM/CMR 24 AWG NUMBER OF PAIRS								COAXIAL				IBM CABLING SYSTEM		SIGNAL WIRE			
	100	75	50	25	6	4	3	2	RG62A/U 22 Gage	RG6/U 18 Gage	RG59/U 20 Gage	RG58A/U 20 Gage	Type 1	Type 2	18AWG	20 AWG	22 AWG	24 AWG
Nominal O.D. Inches	0.68	0.60	0.50	0.38	0.22	0.18	0.14	0.12	0.26	0.275	0.242	0.195	0.43	0.51	0.066	0.057	0.05	0.044
Capacity @ 30% XSA	6	8	11	20	59	88	146	199	42	38	49	75	16	11	658	882	1146	1480
Capacity of Divided @ 30% XSA	3	4	6	10	29	44	72	98	21	19	24	37	8	5	325	435	566	730
Capacity @ 60% XSA	12	16	23	40	118	177	292	398	85	76	98	151	31	22	1316	1764	2293	2961
Capacity of Divided @ 60% XSA	6	8	11	20	58	87	144	196	42	37	48	74	15	11	649	870	1131	1461

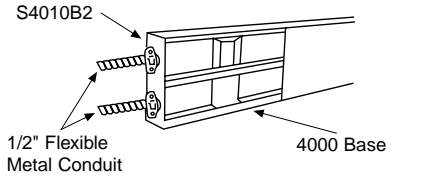
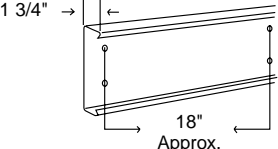
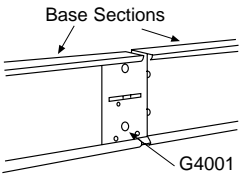
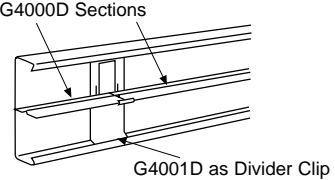
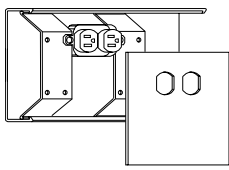
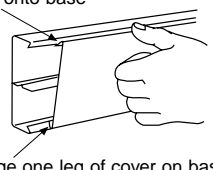
NOTES: 1) XSA = Cross Sectional Area of S4000 Surface Raceway.
2) Capacity range is calculated at 30% to 60% of raceway area as stated in the Commercial Building Standard for Telecommunications Pathways and Spaces, EIA/TIA-569.
3) Reduce wirefill by 20% when fittings are to be used in installation.

All Wiremold electrical products, unless specifically noted, are listed by Underwriters' Laboratories, Inc. and conform to U.S. Federal Specification W-C-582. They comply with the National Electrical Code. Products designed primarily for use in telephone or communications wiring and tools normally do not require U.L. Listing or CSA certification. Most products are CSA certified in compliance with the Canadian Electrical Code. All products must be installed in a manner consistent with applicable electrical codes. **Wiremold S4000 Stainless Steel Surface Raceway** is CSA certified (File No. LR350) and listed by Underwriters' Laboratories (File Nos. E4376 [Raceway] and E41751 [Fittings]). This product is in compliance with the National Electrical Code and the Canadian Electrical Code.

See typical basic system (illustrated on back) for installation details. In general, the following procedure for installing S4000 is recommended.

- Starting at feed connection, install S4000 Base sections over entire run. Butt ends of sections and install couplings as shown on back of this sheet. Cut base sections to length as required for connection of bases of fittings. Custom pre-cut base and cover lengths are available and recommended to ensure an expeditious installation.
- Assemble device brackets in S4000 Base.
- Install wiring in base and wire devices.
- Assemble devices and device covers in S4000 Base.
- Cut S4000 Cover sections to length as necessary and snap onto base. It is recommended that covers overlap base joint.
- Tighten all fitting locking screws securely.

S4000 Stainless Steel Raceway Typical Basic System:

 <p>1. Determine the method of feeding raceway: S4000B for back feed, S4010B1 or S4010B2 for end feed.</p>	 <p>2. To mount S4000 base to surface, remove mounting screw KO's (approx. 18" centers along base) as required. Mount base with No. 8 flat head fasteners.</p>	 <p>3. To couple lengths of S4000B, insert the G4001 coupling into one base section (centered on joint). Slide other length of base onto coupling. Tighten locking screws.</p>
 <p>4. For divided installations, snap G4001D divider clip into base at 30" intervals. Snap G4000D divider into place.</p>	 <p>5. To install device covers, snap device straps in base as shown. Wire device and assemble to straps. Snap device plate over base and device.</p>	 <p>6. Cut S4000C cover to fit between device plates. Snap in place as shown. Continue along entire run.</p>

A. End Blank

At end of S4000 Base run install an End Blank. May use S4010B0 (no knockouts), S4010B1 (1 knockout — for non-divided installations) or S4010B2 (2 knockouts — shown). Knockouts provided are 1/2" - 3/4" concentric style.

B. External Elbow

At 90° outside corner: Insert S4018 External Elbow onto G4001 Coupling on S4000 Base section. Slide next base section onto G4001 Coupling with S4018. After wiring system, snap S4018 Cover onto elbow and butt against S4000 Cover. Couplings are not furnished.

C. Tee

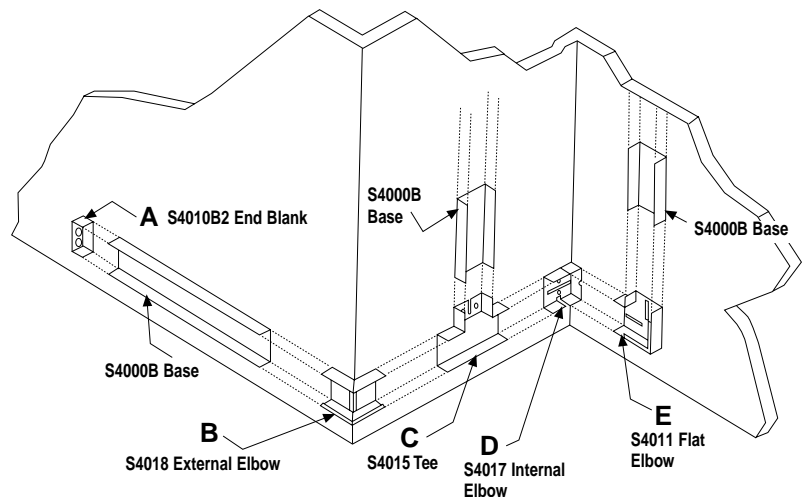
For S4000 T-branch run on same surface: Use S4015 Tee fitting (shown) or S4015D Tee fitting (for divided installations). Couple to base sections with G4001 Couplings (not furnished). After wiring system, snap S4015 Cover into place and butt against adjoining S4000 Covers.

D. Internal Elbow

At 90° inside corners: Insert S4017 Internal Elbow in end of S4000 Base section and mount section. Assemble next Base section on S4017. After wiring system, butt S4000 Cover sections together over S4017 Base to enclose the wiring. No couplings are required.

E. Flat Elbow

At 90° turn on same surface: Insert S4011 Flat Elbow into S4000 Base section and fasten screws. Assemble next Base section on S4011. After wiring system, screw S4011 Cover onto elbow. Butt adjoining S4000 Covers. No couplings are required.



The Wiremold Company

In U.S.:

60 Woodlawn St. • W. Hartford, CT 06133-2500

1-800-621-0049 • FAX 203-232-2062

In Canada:

850 Gartshore St. • Fergus, Ontario N1M 2W8

1-800-741-7957 • FAX 519-843-5980