

Table Boxes bring technology to the point-of-use

Table Boxes bring technology into the user's work area. Routing of power, communications and A/V connectivity to the work surface needs to be unobtrusive with maximum accessibility and flexibility. Our wide range of table box solutions offer the flexibility to meet the connectivity and power configurations requirements needed to run business smoothly, while enhancing the overall room appearance. From desks to lab benches, table boxes make technology easily accessible to the user.



A TableSource Table Box installed in a typical work surface application.







FEATURES & BENEFITS

- **Range of solutions.** Table Boxes allow you to access services on, above or below the work surface with cord-ended or field-wired options. Standard off-the-shelf, field configurable or custom configurations are available to meet any work area need.
- **Variety of applications.** Office workstations, conference rooms, medical laboratories, even home offices can increase productivity by bringing access to connections up to the work surface.
- **Safety.** Wiremold Table Boxes meet U.S. and Canadian safety standards.
- **Aesthetics.** Elegant yet functional access to services includes cover style and color options to meet room décor. Built-in cable management with easy to install and replaceable retractors for communications and USB cables keeps the work surface clear.
- **Ease of installation.** From placing a cord-ended unit in an existing desk grommet, clamping on the edge of a table, or using the supplied template to create the cut out, Wiremold Table Boxes are made easy to install so you can get back to business.



Clockwise from the left: deQuorum™ Flip-Up Table Box, TableSource™ Table Box, Lab Bench Pedestal Table Boxes, Desktop Power Center and Desk Module.

Table Boxes Quick Selection Guide

TABLE BOX MODEL	SVC. LOCATION @ TABLE	CORD LENGTH	COVER COLOR/MATERIAL	ELECTRICAL OUTLETS	DATA OPENINGS	A/V OPENINGS
 TableSource Table Boxes (Standard)	Above	6'	Clear Anodized Aluminum	(1) 15A Duplex, USB	2 Openings with Adapters for Ortronics® Series II, TracJack or Wiremold Open System devices	N/A
 TableSource Table Boxes (Configurable)	Above	2'-12'	Clear Anodized Aluminum	(1-4) 15A Duplexes Gasketed, USB	1-4 Openings with Adapters for Ortronics® Series II, TracJack or Wiremold Open System devices	N/A
 deQuorum Flip Up Table Boxes	Above	6'	Black, Stainless	(1) 15A or 20A Duplex, (1) USB Duplex Receptacle	Adapters for Ortronics® Series II, TracJack or Wiremold Open System devices	N/A
 Desktop Power Center	Above	6'	Black with Magnesium Side Panels	(3) 15A Outlets with (2) USB Charging Outlets	N/A	N/A
 Desk Module	Flush	12'	Brushed Silver with Black Covers	(1) 15A Duplex	RJ45 (Retractor available)	USB Charging (RJ45 Retractor available)
 Lab Bench Table Box (2-Gang)	Above	N/A	Clear Anodized Aluminum	(1) 15A, 20A simplex or duplex, GFCI, or 30A Turnloc® per gang	Up to four (4) keystone jacks per gang using Wiremold AVIP Series Device Plates	Four Legrand AVIP or Extron® Electronics MAAP Modules or Two Extron® Electronics AAP Modules per gang

* Extron® Electronics MAAP modules are sold separately.

TableSource™ Table Boxes

TableSource™ Table Boxes provide effortless work surface accessibility for power and communication. They are offered in a range of standard or custom configured product. TableSource Table Boxes can be easily added to any work area and require minimal, adaptable installation.

CODE REFERENCE

cULus Listed Relocatable Power Tap:
File E66421 Guide XBY5

cULus Listed Multioutlet Assembly:
File E15191 Guide PVGT

Listed to US & Canadian Safety Standards
Meets Article 380 of NEC



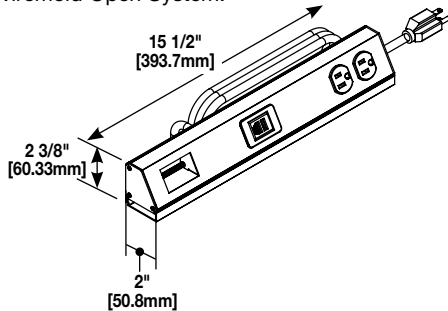
TableSource™ Table Boxes provide flexibility in décor, datacom connectivity options, and installation to meet specific functional and aesthetic needs.

TABLESOURCE TABLE BOXES COLOR OPTIONS

Standard TableSource Table Boxes are available in a clear anodized aluminum finish. Other finishes are available for configurable units. Consult the configurator located on the next page.

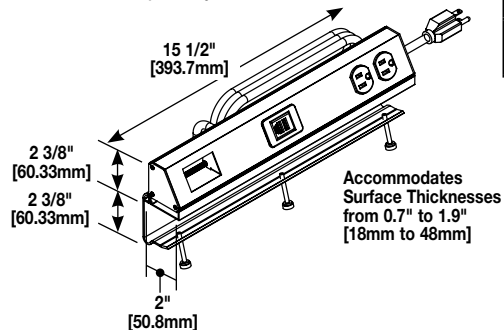
TableSource Table Boxes Ordering Information

TableSource Activations in this chart are packaged with a mounting clip that attaches to the work surface and a hardware bag of adapters that allows the communication openings to accept either Ortronics Series II, TracJack or Wiremold Open System.



CATALOG NUMBER	FINISH	UNIT LENGTH		15A DUPLEX	CORD LENGTH		COMM. OPENINGS
		INCHES	[MM]		FEET	[MM]	
TSAX1F0AL1U	Clear Anodized	13"	[330.2mm]	1	6'	[1.83m]	0
TSAX1F1AL1U	Clear Anodized	15 1/2"	[393.7mm]	1	6'	[1.83m]	1
TSAX1F2AL1U	Clear Anodized	18 5/32"	[461.2mm]	1	6'	[1.83m]	2

TableSource Activations in this chart are packaged with a mounting clip that attaches to the work surface and a hardware bag of adapters that allows the communication openings to accept either Ortronics Series II, TracJack or Wiremold Open System.



CATALOG NUMBER	FINISH	UNIT LENGTH		15A DUPLEX	CORD LENGTH		COMM. OPENINGS
		INCHES	[MM]		FEET	[MM]	
TSAM1F0AL1U	Clear Anodized	13"	[330.2mm]	1	6'	[1.83m]	0
TSAM1F1AL1U	Clear Anodized	15 1/2"	[393.7mm]	1	6'	[1.83m]	1
TSAM1F2AL1U	Clear Anodized	18 3/32"	[461.2mm]	1	6'	[1.83m]	2

TableSource™ Table Boxes Configurator

Design a Cord-Ended TableSource Table Box

Sample Part: **TSAM2H1IV2U**

IMPORTANT

Use this chart to configure your own custom TableSource activation. Many of the configurations are standard offerings, and can be quoted and delivered to you quickly with the help of our Wiremold Customs group. Just call in with your TableSource part number, and they will be able to supply you with a quote, technical specifications and a CAD Drawing.

1. Select face for mounting device. Input letter.

2. Do you want optional mounting bracket for backplash application?

3. Number of duplexes (from 1-4). Input number.

4. Choose a length and input the corresponding letter for that length.

5. Choose number of communication adapters (from 1-4). Input number.

6. Choose color of activation and devices. Input two-letter color code.

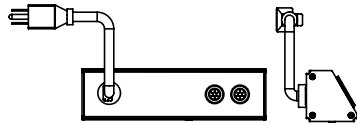
7. Choose number of USB modules. Input a number followed by "U". #U = Number of USB Modules

Length Feet [metric]	Code Letter
2 [0.6m]	B
3 [0.9m]	C
4 [1.2m]	D
5 [1.5m]	E
6 [1.8m]	F
7 [2.1m]	G
8 [2.4m]	H
9 [2.7m]	I
10 [3.0m]	J
11 [3.4m]	K
12 [3.7m]	L

NOTE: Wiremold Open System, Ortronics Series II and TracJack modules provided with all assemblies.

NOTE: Cord color is black.

Data Cables egress out the back (the side opposite the devices).



Design a Hard-Wired TableSource Table Box

Sample Part: **TSAP2Z1BK2UG**

IMPORTANT

Use this chart to configure your own custom TableSource activation. Many of the configurations are standard offerings, and can be quoted and delivered to you quickly with the help of our Wiremold Customs group. Just call in with your TableSource part number, and they will be able to supply you with a quote, technical specifications and a CAD Drawing.

1. Select face for mounting device. Input letter.

2. Mounting styles

3. Number of duplexes (from 1-4). Input number.

4. Choose face for 6' [1.8m], three-wire whip to exit.

5. Choose number of communication adapters (from 1-4). Input number.

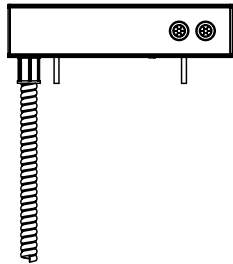
6. Choose color of activation and devices. Input two-letter color code.

7. Choose number of USB modules. Input a number followed by "U". #U = Number of USB Modules

8. Choose if Deadfront GFCI Protection is needed. If not, leave blank. **G** = Dead Front GFCI Module

Whip Exit	Code Letter
Y STYLE	Y
Z STYLE	Z

Data Cables egress out the back (the side opposite the devices).



NOTE: Wiremold Open System, Ortronics Series II and TracJack modules provided with all assemblies.

deQuorum™ Flip-Up Table Boxes

deQuorum™ Flip-Up Table Boxes provide flexibility in décor, communication connectivity options, and installation to meet specific functional and aesthetic needs. Flip-Up Table Boxes bring the modules above the work surface when in use for easy access.



deQuorum™ Flip-Up Table Boxes provide flexibility in décor, communication connectivity options, and installation to meet specific functional and aesthetic needs.

CODE REFERENCE

cULus Listed Relocatable Power Tap:
File E66421 Guide XBY5
Listed to US & Canadian Safety Standards
Meets Article 380 of NEC.

deQUORUM FLIP-UP TABLE BOXES COLOR OPTIONS

deQuorum Flip-Up Table Box Covers are available in the following finishes: Black and Stainless.

deQuorum Flip-Up Table Box Part Number Configurator

deQuorum Flip-Up Table Boxes

D Q F

deQuorum Series:
DQF = deQuorum Flip-Up

Wiring Option:
P = Cord Ended
F = Field Wired

Receptacle Amperage:
15 = 15A
20 = 20A

USB:
U = USB

Unit Color:
BK = Black
ST = Stainless

Second Gang:
Communications = 2A
One Gang Only = Leave Blank

NOTE: Part Number Configurator can be used both to identify stock product configurations and also to request custom configurations from the factory. Consult the factory for more information.

deQuorum Flip-Up Pedestal Table Boxes Ordering Information

PART NO.	DESCRIPTION	PART NO.	DESCRIPTION
DQFP15BK DQFP15ST	<p>Single Flip-Up Unit – Unit includes one (1) 15A black tamper-resistant duplex receptacle. Unit comes with a 6' [1.83m] cord. Available in black or stainless finishes.</p>	DQFP15UBK DQFP15UST	<p>Single Flip-Up Unit – Unit includes one (1) 15A black tamper-resistant duplex receptacle with two (2) USB ports that provide 3.1A. Unit comes with a 6' [1.83m] cord. Available in black or stainless finishes.</p>
DQFP15BK-2A DQFP15ST-2A	<p>Dual Flip-Up Unit – Unit includes one (1) 15A black tamper-resistant duplex receptacle. Second opening will accept adapter for one (1) Wiremold CM Series Open System 2A module, one (1) Ortronics Series II or one (1) TracJack adapter to accommodate a wide range of communication outlets. Adapters are included in hardware bag. Unit comes with a 6' [1.83m] cord. Available in black or stainless finishes.</p>	DQFP15UBK-2A DQFP15UST-2A	<p>Dual Flip-Up Unit – Unit includes one (1) 15A black tamper-resistant duplex receptacle with two (2) USB ports that provide 3.1A. Second opening will accept adapter for one (1) Wiremold CM Series Open System 2A module, one (1) Ortronics Series II or one (1) TracJack adapter to accommodate a wide range of communication outlets. Adapters are included in hardware bag. Unit comes with a 6' [1.83m] cord. Available in black or stainless finishes.</p>

Desktop Power Center

Desktop Power Center brings surge-protected power and USB charging outlets up to the work surface by utilizing existing cord drop openings in office desks and table tops or by mounting onto the edge of a desk or table top.

CODE REFERENCE

**cETLus Listed
Furniture Power Distribution Box**
Listed to US & Canadian
Safety Standards

DESKTOP POWER CENTER COLOR OPTIONS

Desktop Power Centers are available in black with magnesium side panels.



Desktop Power Center provides easy access to surge-protected power and USB services.

Desktop Power Center Ordering Information

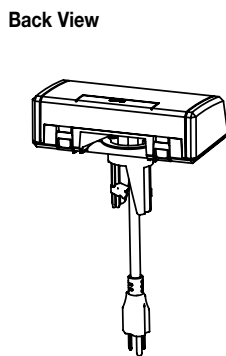
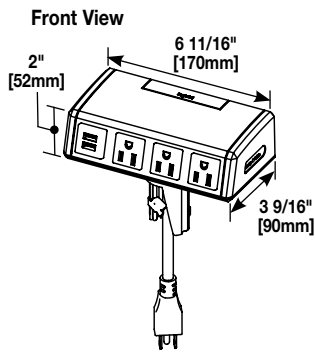


WSC400-S Desktop Power Center with mounting components

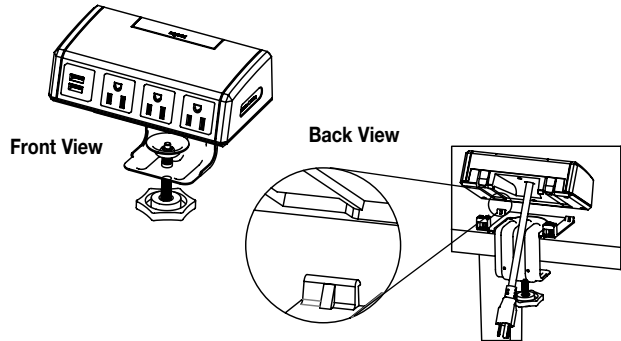
CATALOG NUMBER	DESCRIPTION
WSC320-S	USB Desktop Power Center Has three (3) surge-protected 15A power outlets, two (2) USB charging outlets and a 6' [1.83m] cord. Units come with accessories for mounting into round cutouts in desk or edge mounting on desks or other work surfaces. Ships in corrugated box.

MOUNTING OPTIONS:

Installs through an existing cord drop opening.



Installs on the edge of a work surface.



Desk Module

New Desk Modules increase the functionality of workstations by replacing existing grommets with power, communication and USB charging. Convenient retractors provide clean cable management.

CODE REFERENCE

**cETLus Listed
Furniture Power Distribution Box**
Listed to US & Canadian
Safety Standards



DESK MODULE COLOR OPTIONS

Desk Modules are available in black finish with silver trim elements.



Desk Modules upgrade workstations to well-connected spaces so users can focus on the business at hand.

Desktop Power Center Ordering Information

CATALOG NUMBER	DESCRIPTION	CATALOG NUMBER	DESCRIPTION
WSDM210BK	Desk Module Desk Module, black/silver, with two (2) 15A outlets and 12' cord.	WSDM211BKR	Desk Module Desk Module, black/silver, with two (2) 15A outlets, one (1) USB charging outlet and 12' cord. Includes RJ45 retractor cassette.
			
WSDM210BKR	Desk Module Desk Module, black/silver, with two (2) 15A outlets and 12' cord. Includes RJ45 retractor cassette.	WSDMDC	RJ45 Retractor Cassette Retractor with Cat6 cable extending 4. 4' [1.35m].
			
WSDM211BK	Desk Module Desk Module, black/silver, with two (2) 15A outlets, one (1) USB charging outlet and 12' cord.	WSDMUC	USB Retractor Cassette Retractor with USB charging cable extending 4. 4' [1.35m].
			



Lab Bench Pedestal Table Boxes

The new Lab Bench Pedestal Table Boxes provide increased capacity and access to multiple services in a variety of configurations to meet the demanding needs of laboratory activity. These field-wired units can be added to existing benches or designed into new lab construction. UL has evaluated these boxes for use on laboratory bench work surfaces. Pass & Seymour® receptacles were installed in the box and subjected to spill testing outlined in UL 111. The test results showed that there was no risk of fire or electrical shock as a result of the spill.



Lab Bench Pedestal Table Boxes provide access to power and communications services.

CODE REFERENCE

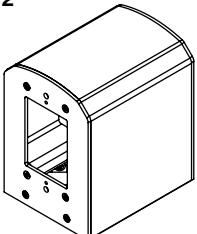
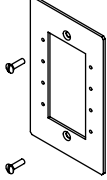
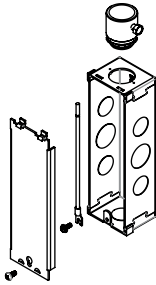
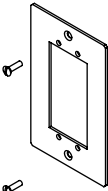
cULus Listed Metallic Outlet Boxes:
File E2961, Guide QCIT
Meets Article 314.27(C) of NEC

cULus Listed Multioutlet Assembly:
File E15191, Guide PVGT
Meets Article 380 of NEC
Meets Article 12-3032 of CEC
Evaluated for use on Laboratory Bench work surfaces

LAB BENCH PEDESTAL TABLE BOXES COLOR OPTIONS

Lab Bench Table Boxes are available in a clear anodized aluminum finish.

Lab Bench Pedestal Table Boxes Ordering Information

PART NO.	DESCRIPTION	PART NO.	DESCRIPTION
LBP2 	<p>Lab Bench Pedestal – Aluminum housing and side plates, with a steel base and divider, measures 4" x 5" x 5 5/8" [102mm x 127mm x 143mm]. Base is configurable to have a combination of two (2) 3/4" knockouts or two (2) 3/4" EMT stubs. Accommodates a variety of power outlets (duplex, decorator, GFCI and up to 30A twist lock). Use Wiremold AVIP to provide communications and A/V. Receptacles and wall plates are sold separately. See chart on next page for list of Pass & Seymour® receptacles that were evaluated by UL for use with the box on laboratory bench work surfaces.</p>	LBP-MAAP 	<p>Lab Bench MAAP Plate – Plate is finished black to match Wiremold AVIP devices. Used to provide communication and A/V services.</p>
LBPBHA 	<p>Bottom Housing Unit – One gang 3/4" trade size conduit housing assembly. Assembly includes junction box and 3/4" trade size fitting to attach to 3/4" trade size conduit for power connections. See chart on next page for list of Pass & Seymour® receptacles that were evaluated by UL for use with the box on laboratory bench work surfaces.</p>	LBP-AAP 	<p>Lab Bench AAP Plate – Plate is finished black to match Extron® Electronics AAP devices.</p>

Lab Bench Pedestal Table Boxes and Compatible Pass & Seymour® Devices

GFCI Devices

Straight Blade GFCI	Tamper Resistant GFCI	PlugTail GFCI	Hospital Grade GFCI	PlugTail Hospital Grade GFCI	Deadfront GFCI
1595	1595NTLTR	PT1595	1595HG	PT1595HG	2085
2095	1595TR	PT1595NTLTR	1595HGNTLTR	PT1595HGNTLTR	
1595DSWR	1595TRS	PT1595TR	1595HGTR	PT1595HGTR	
1595R	1595TRWR	PT2095	2095HG	PT2095HG	
1595S	2095NTLTR	PT2095NTLTR	2095HGNTLTR	PT2095HGNTLTR	
2095DSWR	2095TR	PT2095TR	2095HGTR	PT2095HGTR	
2095S	2095TRS				
2095TRWR					

Hospital Grade Devices

Hospital Grade GFCI	PlugTail Hospital Grade GFCI	PlugTail Hospital Grade	Isolated Ground	15A Hospital Grade	20A Hospital Grade
1595HG	PT1595HG	PT8200	IG26262HG	8200	8300
1595HGNTLTR	PT1595HGNTLTR	PT8200IL	IG26362HG	8201	8301
1595HGTR	PT1595HGTR	PT8300	IG8200	26222HG	8800
2095HG	PT2095HG	PT8300IL	IG8300	26262HG	8801
2095HGNTLTR	PT2095HGNTLTR	PTTR62H	IG8301	8200H	26322HG
2095HGTR	PT2095HGTR	PTTR63H	IG8800	8200IL	26362HG
	PTTR8200	TRIG26262HG	PS8200H	8300H	
	PTTR8300	TRIG26362HG	PS8200HS	8300IL	
		TRIG8200	TR26262HG	PS8300H	
		TRIG8300	TR62H	PS8300HS	
				TR26362HG	
				TR63H	

Straight Blade Devices

Tamper Resistant	15A Devices	20A Devices	15A Weather & Corrosion Resistant	20A Weather & Corrosion Resistant	TR USB
TR15	5251	5351	CR15	CR20	TM8-USB
TR20	5261	5361	CR6207	CR6307	
TR26261	5262	5362	CRB5262	CRB5362	
TR26262	5290	5850	CRB5262S	CRB5362S	
TR26361	5651	5851	WR5262	WR20TR	
TR26362	5662	5862	WR5662	WR5362	
TR5251	5671	5871		WR5862	
TR5262	6207	5890			
TR5351	26252	6307			
TR5362	26652	26352			
TR62	26661	26852			
TR63	5262A	26861			
WR20TR	5662A	5362A			
PS5262	5862A				
	PS5362				

Lab Bench Pedestal Table Boxes and Compatible Pass & Seymour® Devices (continued)

Isolated Ground Devices

Hospital Grade IG	Locking IG	15A Isolated Ground	20A Isolated Ground
IG26262HG	IG4700	TRIG26262	TRIG26362
IG26362HG	IG4710	TRIG5262	TRIG5362
IG8200	IGL520R	IG26262	IG26362
IG8300	IGL530R	IG5261	IG5361
IG8301	IGL620R	IG5262	IG5362
IG8800	IGL630R	IG5662	IG5862
TRIG26262HG	IGL1420R		
TRIG26362HG	IGL1430R		
TRIG8200	IGL1520R		
TRIG8300	IGL1530R		
IGL2120R			
IGL2130R			

PlugTail Receptacles

PlugTail GFCI	PlugTail Hospital Grade	PlugTail Hospital Grade GFCI	PlugTail TR Grade	PlugTail 15A & 20A
PT1595	PT1595HG	PT8200	PTTR5262	PT5262A
PT1595NTLTR	PT1595HGNTLTR	PT8200IL	PTTR5262SC	PT5362A
PT1595TR	PT1595HGTR	PT8300	PTTR5362	
PT2095	PT2095HG	PT8300IL	PTTR5362SC	
PT2095NTLTR	PT2095HGNTLTR	PTTR62H	PTTR62	
PT2095TR	PT2095HGTR	PTTR63H	PTTR63	
	PTTR8200			
	PTTR8300			

Locking Receptacles

Turnlok IG	20A Turnlok	30A Turnlok
IG4700	7310	3330
IG4710	7410	3430
IGL520R	CRL520R	3330G
IGL530R	L1020R	CRL530R
IGL620R	L1120R	L1030R
IGL630R	L1420R	L1130R
IGL1420R	L1520R	L1430R
IGL1430R	L1820R	L1530R
IGL1520R	L2120R	L1830R
IGL1530R	L520R	L2130R
IGL2120R	L620R	L530R
IGL2130R	L630R	

NOTES

NOTES



60 Woodlawn Street
West Hartford, CT 06110
Phone: 1.877.BY.LEGRAND (295-3472)
www.legrand.us/wiremold

570 Applewood Crescent
Vaughan, Ontario L4K 4B4
Phone: 905.738.9195

