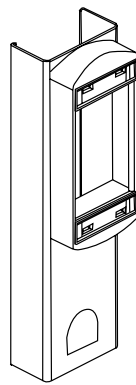
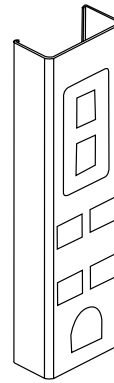


# AMTC/25DTC COMMUNICATIONS ADD-ON COVERS INSTALLATION INSTRUCTIONS

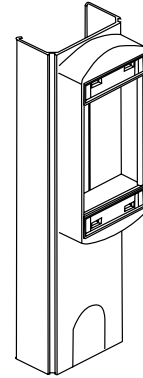
Wiremold Electrical Systems conform to and should be installed and properly grounded in compliance with requirements of the current National Electrical Code, Canadian Electrical Code or codes administered by local authorities. All electrical products may represent possible shock or fire hazard if improperly installed or used. Wiremold electrical products are UL listed, made for interior use only and should be installed in conformance with current local and/or the National Electrical Code.



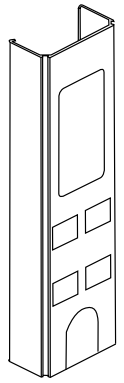
**25DTC-ACT/  
25DTC-3S2**



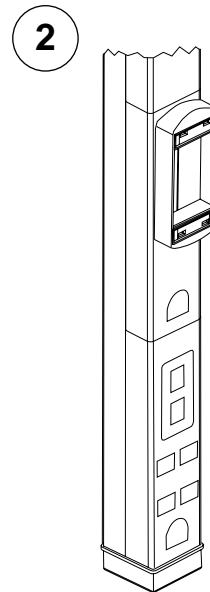
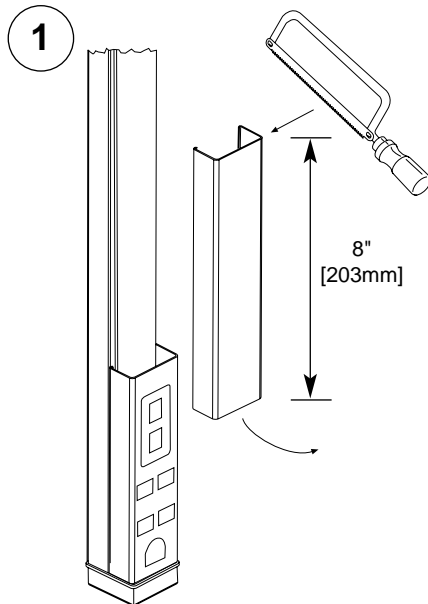
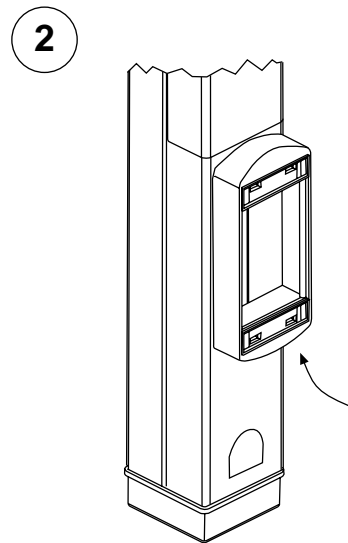
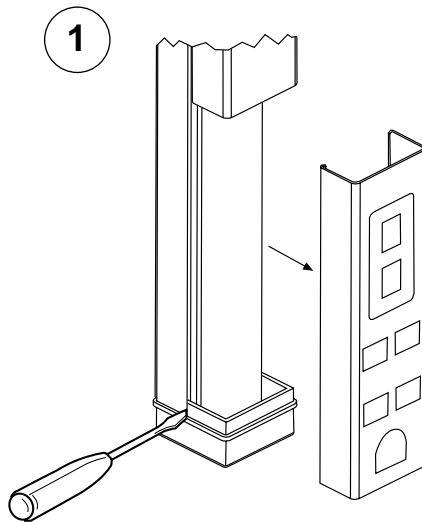
**25DTC-CVR**



**AMTC-ACT/  
AMTC-3S2**

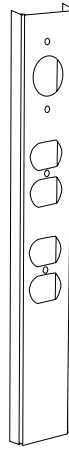


**AMTC-ACVR**

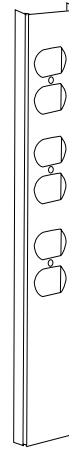


# AMDTP/25DTP POWER ADD-ON COVERS INSTALLATION INSTRUCTIONS

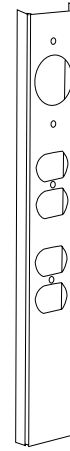
Wiremold Electrical Systems conform to and should be installed and properly grounded in compliance with requirements of the current National Electrical Code, Canadian Electrical Code or codes administered by local authorities. All electrical products may represent possible shock or fire hazard if improperly installed or used. Wiremold electrical products are UL listed, made for interior use only and should be installed in conformance with current local and/or the National Electrical Code.



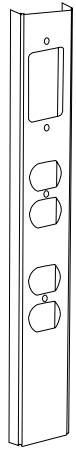
**AMDTP-A  
25DTP-A**



**AMDTP-B  
25DTP-B**



**AMDTP-J  
25DTP-J**



**AMDTP-L  
25DTP-L**

