

FLOOR & WALL BRACKETS

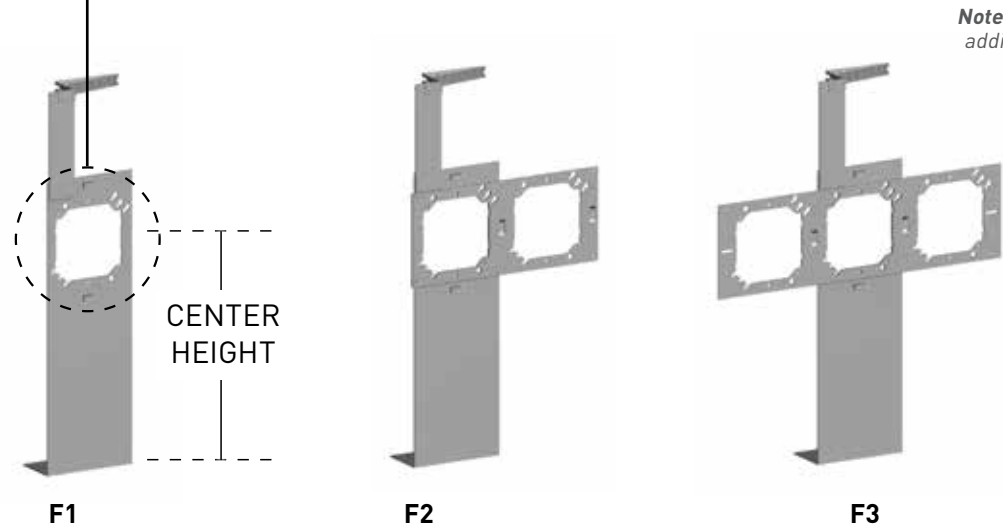
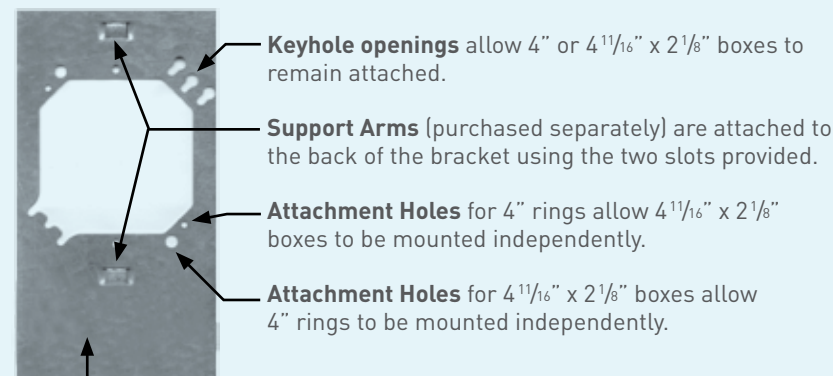
Sold as Components

The Floor Bracket is the centerpiece of our product line and represents the latest innovation by our Manufactured Assemblies for Branch Circuit Wiring. The design permits fast installation anywhere between studs and ensures correct device mounting height with no measuring required.

Installation: The Floor Bracket is installed by kicking the lower flange under the wall base. Two holes are provided for attachment screws if needed. Accepts 4" and 5" rings, and 4" and 4 1/16" square boxes mounted horizontally or vertically.

Floor Brackets: 18 gage galvanized steel.

Support Arms: Attach to the back of the Floor Bracket to support the assembly against the wall behind. No attachment hardware is required. Purchased separately.



FLOOR BRACKETS		
PRODUCT NO. EACH	GANG	CENTER HEIGHT
F112	1	12"
F115	1	15"
F118	1	18"
F124	1	24"
F212	2	12"
F215	2	15"
F218	2	18"
F224	2	24"
F312	3	12"
F315	3	15"
F318	3	18"
F324	3	24"

Note: Floor brackets are available without CJ6 by adding an "N" to the end of the catalog number. (Example: F118N)

The Wall Bracket offers unsurpassed versatility for the installation of electrical boxes anywhere between studs at any height.

Installation: The Wall Bracket is quickly installed with screws using the holes provided in the bracket. Brackets are setup to accept 4" and 4 1/16" square boxes and plaster rings. Rings can be set up as a horizontal mount.

Wall Brackets: 18 gage galvanized steel.

Support Arms: Attach to the back of the Wall Bracket to support the assembly against the wall behind. No attachment hardware is required. Purchased separately. (Not required for W16SSL and W24SSL)

WALL BRACKETS	
PRODUCT NO. EACH	GANG
W1	1
W3	3
W4	4
W34	3
W16SSL	16" Slider
W24SSL	24" Slider

