

# PRODUCT SPECIFICATIONS / INFO



SMART>GRID™

## T5280-W

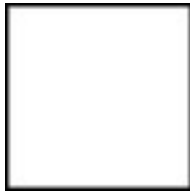
UPC Code: 07847743431

Country of Origin: Mexico - *\*Eligible for ARRA funded projects > \$7,443,000*



*\*Disclaimer*

Color: White



NEMA: 5-15R



### Description

15 Amp, 125 Volt, NEMA 5-15R, 2P, 3W, Decora Plus Duplex Receptacle, Tamper-Resistant, Straight Blade, Commercial Specification Grade, Self Grounding, Surge w/ Indicator Light, Back & Side Wired, Steel Strap, includes matching color wallplate - WHITE

### Product Features

Color: White  
NEMA: 5-15R

Electrical Specifications	
Amp or Amperage	15
Voltage	125 Volt
NEMA	5-15R
Pole	2
Wire	3
Grounding	Self Grounding
Dielectric Voltage	Withstands 2000V per UL498
Current Limiting	Full Rated Current

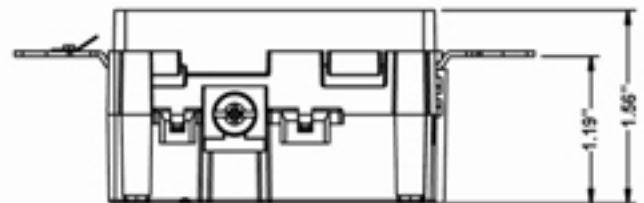
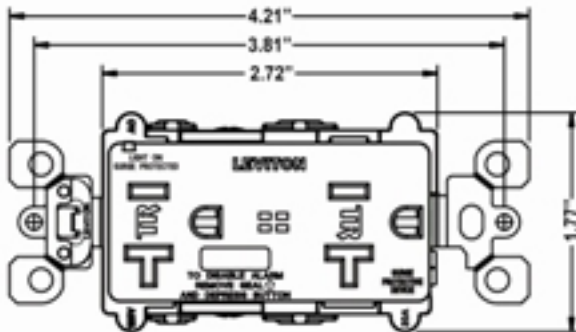
Material Specifications	
Body Material	Polycarbonate
Face Material	Nylon
Strap Material	Zinc-Plated Steel
Color	White
Line Contacts	Brass Triple-Wipe
Terminal Screws	Hot: Brass-Plated Steel, Neutral: Nickel-Plated Steel
Grounding Screw	Painted Steel
Ground Clips	Brass-Plated Steel
Clamp Nuts	Zinc-Plated Steel
Shutter Mechanism	Delrin® Acetal

Performance Data	
MCOV	150V rms
Joules Rating	720
Nominal Discharge Current Rating	3kA
Max Surge Current	L-N: 18kA, L-G: 9kA, N-G: 9kA
Noise Rejection	-30dB at 500kHz-30MHz
VPR	L-N: 600V, L-G: 700V, N-G: 600V
SCCR	5000A
Alarm Indicator(s)	LED Only

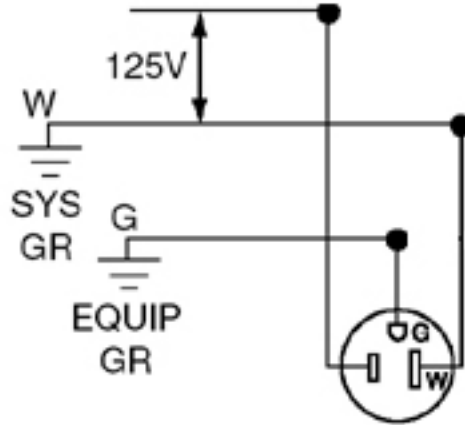
Environmental Specifications	
Flammability	Rated V-2 per UL94
Operating Temperature	-10C to 60C

Mechanical Specifications	
Terminal ID	Brass-Hot, Green-Ground, Silver-Neutral
Terminal Accom.	14-10 AWG
Product ID	Ratings are permanently marked on device
Torque Range	14-16 inch pounds

Standards and Certifications	
NEMA	WD-6
ANSI	C-73
UL 498	File E13399
UL1449 3rd Edition	File E317603
CSA C22.2 No. 42	File 152105
NOM	057
Warranty	10 Year Limited



## Wiring Diagram



5-15R

### SPECIFICATION SUBMITTAL

JOB NAME: <input style="width: 95%;" type="text"/>	CATALOG NUMBERS: <input style="width: 95%;" type="text"/>
JOB NUMBER: <input style="width: 95%;" type="text"/>	<input style="width: 95%;" type="text"/>

**Leviton Manufacturing Co., Inc.**

201 North Service Road, Melville, NY 11747  
 Telephone: 1-800-323-8920 · FAX: 1-800-832-9538 · Tech Line (8:30AM-7:30PM E.S.T. Monday-Friday): 1-800-824-3005

**Leviton Manufacturing of Canada, Ltd.**

165 Hymus Boulevard, Pointe Claire, Quebec H9R 1E9 · Telephone: 1-800-469-7890 · FAX: 1-800-824-3005 · [www.leviton.com/canada](http://www.leviton.com/canada)

**Leviton S. de R.L. de C.V.**

Lago Tana 43, Mexico DF, Mexico CP 11290 · Tel.: (+52)55-5082-1040 · FAX: (+52)5386-1797 · [www.leviton.com.mx](http://www.leviton.com.mx)

**Visit our Website at: [www.leviton.com](http://www.leviton.com)**

© 2007-2011 Leviton Manufacturing Co., Inc. All rights reserved. Subject to change without notice.

**Leviton has a global presence.**

If you would like to know where your local Leviton office is located please go to:  
[www.leviton.com/international/contacts/](http://www.leviton.com/international/contacts/)



*\*Buy American Compliant Logo -- The American Recovery And Reinvestment Act of 2009 ("ARRA") provides federal grants and loans for projects throughout the country. Section 1605 of the Act, named the "Buy American" provision, requires that certain materials and manufactured products used in projects funded by the Act be manufactured in the United States. The appearance of the Recovery Act Logo in relation to a Leviton product is only intended to reflect that such product may be used in an ARRA funded project. It does not mean that such product or Leviton is sponsored or endorsed by, or that Leviton receives funds from, the federal government or the Recovery Accountability and Transparency Board. Nothing in Leviton's use of the logo is intended to suggest anything regarding the requirements for funding under ARRA.*