

13654-EXL



UPC Code: 07847725991

Country of Origin: Mexico - *Eligible for
ARRA funded projects > \$7,443,000



Item Description

Medium to Miniature Base, T5 Bi-Pin, Standard Fluorescent Lampholder, Long T-8 to T-5 Adapter, Slide-On, Lamp-Lock, , Quickwire 18AWG Solid or Str Tinned - White

Technical Information

Electrical Specifications

Voltage: 600 Volt

Rated Wattage: 660W

Material Specifications

Body Material: Thermoplastic

Contact Material: Copper-Alloy

Color: White

Availability: OEM Only

Mechanical Specifications

Mounting Type: Slide-On

Panel Thickness: 20 Ga. Panel

Contact Type: Lamp-Lock

Termination: Quickwire 18AWG Solid or Str Tinned

Wire Strip Length: 3/8 Inch

Product Features

Lamp Base: Medium to Miniature

Lamp Contacts: Bi-Pin

Style Name: Long T-8 to T-5 Adapter

Mounting Type: Slide-On

Panel Thickness: 20 Ga. Panel

Contact Type: Lamp-Lock

Lamp Type: T5

Termination: Quickwire 18AWG Solid or Str Tinned

Rated Wattage: 660W

Color: White

Standards and Certifications: UL/CSA/NOM

Warranty: 1 Year Limited

Availability: OEM Only

Standards and Certifications

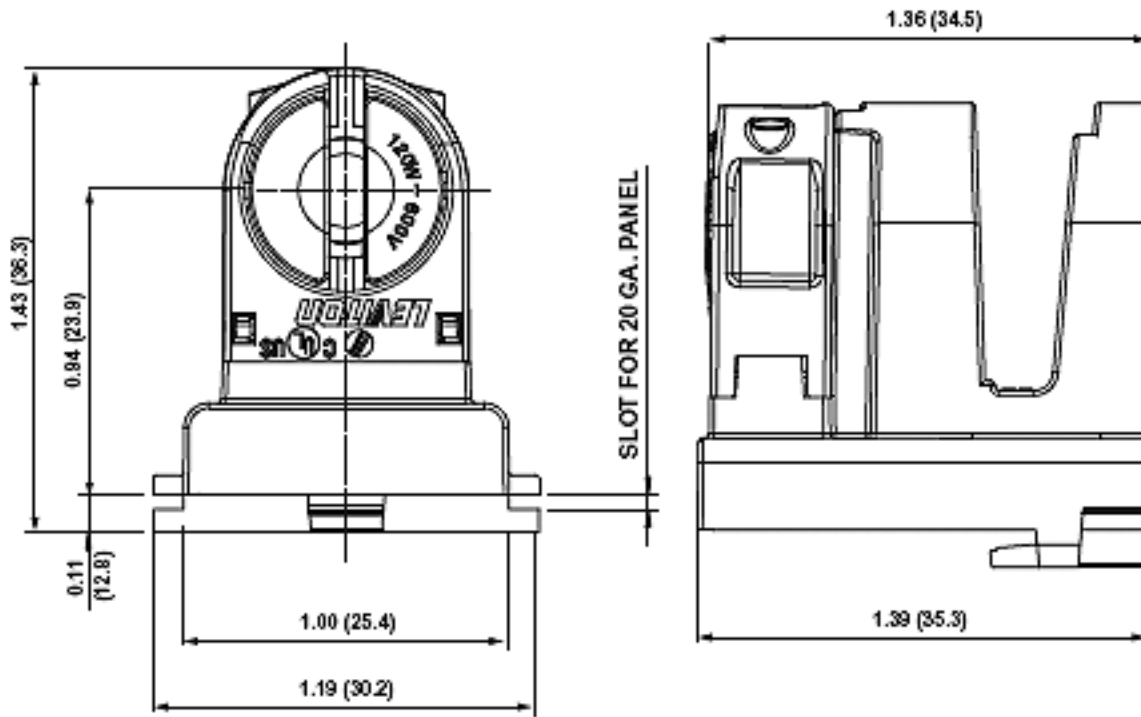
UL Listed: File E5833

CSA Certified: File LR-1863

NOM Certified: 057

Features and Benefits

- Simple, cost-effective solution enables OEM's to incorporate miniature bi-pin T-5 lamps into existing T-8 fixture design
- No change in socket bar tooling required
- Fits existing slide-on T-8 lampholder cutouts and compensates for variations in T-5 lamp lengths
- 4-position, positive-stop lamp-lock socket makes it simple for end users to relamp in service
- Long and Short lengths available
- Available shunted and non-shunted



SPECIFICATION SUBMITTAL

JOB NAME: <input type="text"/> JOB NUMBER: <input type="text"/>	CATALOG NUMBERS: <input type="text"/>
--	---------------------------------------

Leviton Manufacturing Co., Inc.
 201 North Service Road, Melville, NY 11747
 Telephone: 1-800-323-8920 · FAX: 1-800-832-9538 · Tech Line (8:30AM-7:30PM E.S.T. Monday-Friday): 1-800-824-3005

Leviton Manufacturing of Canada, Ltd.
 165 Hymus Boulevard, Pointe Claire, Quebec H9R 1E9 · Telephone: 1-800-469-7890 ·
 FAX: 1-800-824-3005 · www.leviton.com/canada

Leviton S. de R.L. de C.V.
 Lago Tana 43, Mexico DF, Mexico CP 11290 · Tel.: (+52)55-5082-1040 · FAX: (+52)5386-1797 · www.leviton.com.mx

Visit our Website at: www.leviton.com
 © 2012-2013 Leviton Manufacturing Co., Inc. All rights reserved. Subject to change without notice.



Leviton has a global presence.
 If you would like to know where your local Leviton office is located please go to: www.leviton.com/international/contacts/

**Buy American Compliant Logo -- The American Recovery And Reinvestment Act of 2009 ("ARRA") provides federal grants and loans for projects throughout the country. Section 1605 of the Act, named the "Buy American" provision, requires that certain materials and manufactured products used in projects funded by the Act be manufactured in the United States. The appearance of the Recovery Act Logo in relation to a Leviton product is only intended to reflect that such product may be used in an ARRA funded project. It does not mean that such product or Leviton is sponsored or endorsed by, or that Leviton receives funds from, the federal government or the Recovery Accountability and Transparency Board. Nothing in Leviton's use of the logo is intended to suggest anything regarding the requirements for funding under ARRA.*