

# 16362-HGI



UPC Code: 07847781876

Country of Origin: Please Contact Customer Service

NEMA: 5-20R



## Brand Features

All Leviton Hospital Grade Receptacles undergo the most stringent UL testing to assure continuous, safe operation in any application requiring high-abuse tolerance, including health care facilities, manufacturing plants and schools.

## Item Description

20 Amp, 125 Volt, NEMA 5-20R, 2P, 3W, Decora Plus Duplex Receptacle, Straight Blade, Hospital Grade, Self Grounding, , Back & Side Wired, Steel Strap, - Ivory

## Technical Information

AC Horsepower Ratings

**At Rated Voltage:** 1 HP

Electrical Specifications

**Grounding:** Self-Grounding

**Amperage:** 20 Amp

**Voltage:** 125 Volt

**NEMA:** 5-20R

**Pole:** 2

**Wire:** 3

**Dielectric Voltage:** Withstands 2000V per UL498

**Current Limiting:** Full Rated Current

**Temperature Rise:** Max 30C after 250 cycles OL at 200 percent rated current

Environmental Specifications

**Flammability:** Rated V-2 per UL94

**Operating Temperature:** -40C to 60C

Material Specifications

**Face Material:** Nylon

**Body Material:** Nylon

**Line Contacts:** Brass Triple-Wipe

**Terminal Screws:** Brass 10-32

**Grounding Screw:** Brass 8-32

**Yoke:** Zinc-Plated Steel

**Clamp Nuts:** Zinc-Plated Steel

**Ground Clips:** Brass-Plated

**Strap Material:** Steel

**Color:** Ivory

Mechanical Specifications

**Terminal ID:** Brass-Hot, Green-Ground, Silver-Neutral

**Terminal Accom.:** 14-10 AWG

**Product ID:** Ratings are permanently marked on device

**Termination:** Back & Side

Product Features

**NEMA:** 5-20R

**Color:** Ivory

Standards and Certifications

**NEMA:** WD-6

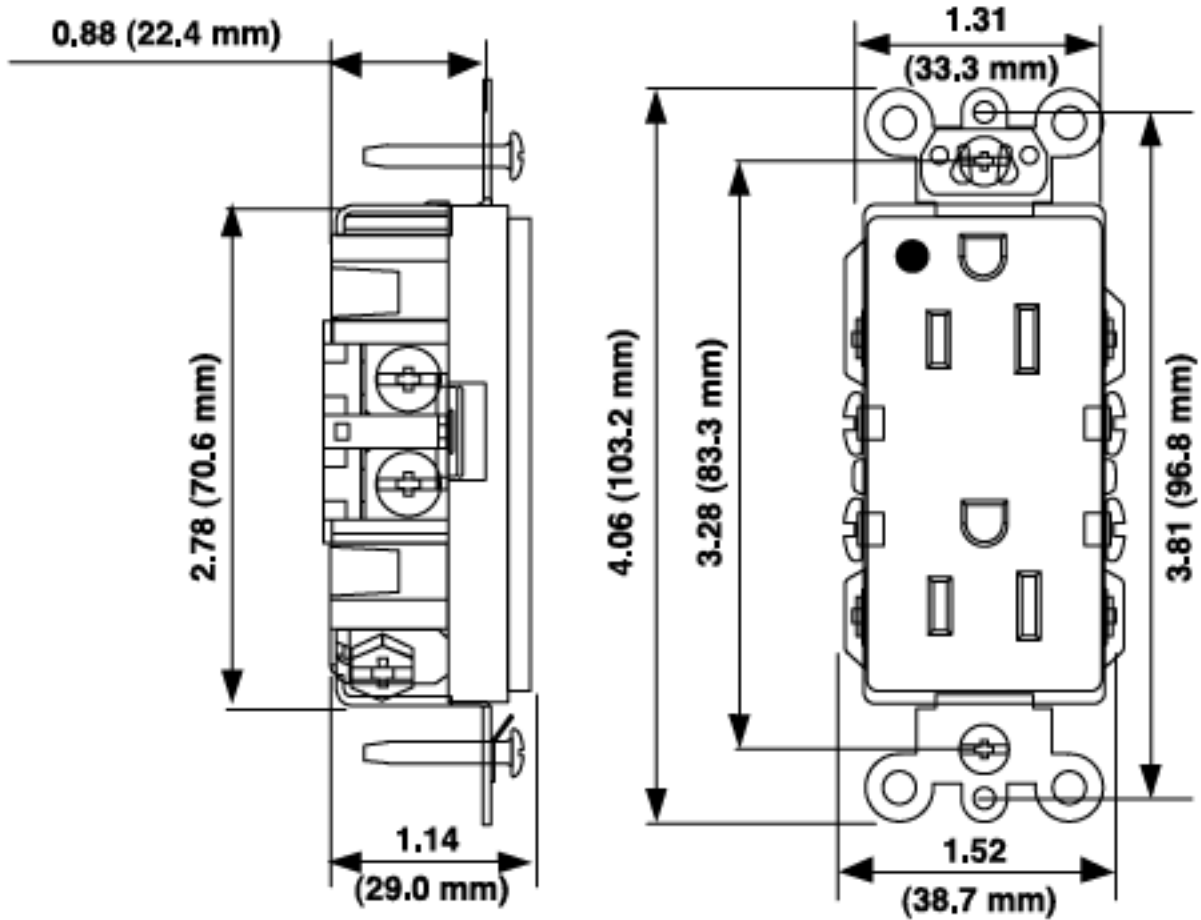
**ANSI:** C-73

**UL498HG:** File E13399

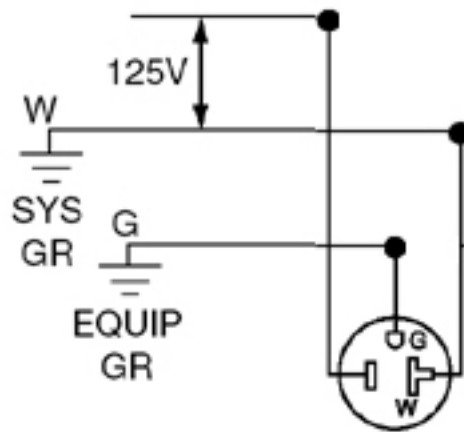
**CSA C22.2 No. 42:** File 152105

**NOM:** 057

**Warranty:** 10 Year Limited



**Wiring Diagram**



5-20R

**SPECIFICATION SUBMITTAL**

|                      |                      |                      |
|----------------------|----------------------|----------------------|
| JOB NAME:            | CATALOG NUMBERS:     |                      |
| <input type="text"/> | <input type="text"/> | <input type="text"/> |
| JOB NUMBER:          | <input type="text"/> | <input type="text"/> |

**Leviton Manufacturing Co., Inc.**

201 North Service Road, Melville, NY 11747

Telephone: 1-800-323-8920 · FAX: 1-800-832-9538 · Tech Line (8:30AM-7:30PM E.S.T. Monday-Friday): 1-800-824-3005

**Leviton Manufacturing of Canada, Ltd.**

165 Hymus Boulevard, Pointe Claire, Quebec H9R 1E9 · Telephone: 1-800-469-7890 ·

FAX: 1-800-824-3005 · [www.leviton.com/canada](http://www.leviton.com/canada)

**Leviton S. de R.L. de C.V.**

Lago Tana 43, Mexico DF, Mexico CP 11290 · Tel.: (+52)55-5082-1040 · FAX: (+52)5386-1797 · [www.leviton.com.mx](http://www.leviton.com.mx)

**Visit our Website at: [www.leviton.com](http://www.leviton.com)**

© 2012-2013 Leviton Manufacturing Co., Inc. All rights reserved. Subject to change without notice.

**Leviton has a global presence.**

If you would like to know where your local Leviton office is located please go to: [www.leviton.com/international/contacts/](http://www.leviton.com/international/contacts/)

