

16A25-R

Brand Features

Leviton's 16 Series Taper Nose products are the connectors of choice for concerts, sound stages, movie-making, television production, sporting events and conventions.

Item Description

Male, Multi-Way Connector, Double Male, 400 Amp Max., 16 Series Taper Nose, Commercial Grade, Cam-Type Connector - Red

Technical Information

Electrical Specifications

Max. Amperage: 400 Amp

Max. Voltage: 600 Volt

Material Specifications

Sleeve Material: Santroprene TPV

Contact Material: Brass

Strain Relief: Copper Wire

Mechanical Specifications

Gender: Male-Male

Product Features

Color: Red

Standards and Certifications

UL Listed: File E-13399

CSA Certified: File 152105

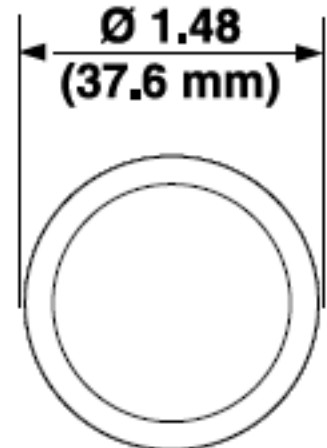
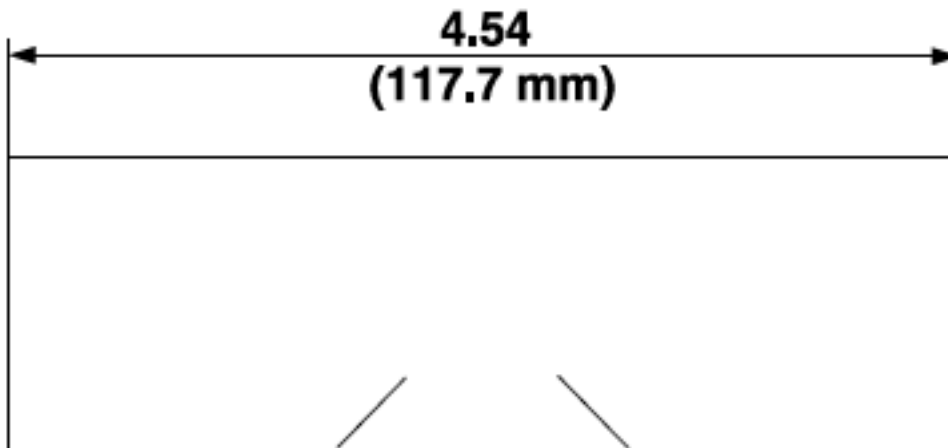
NEMA Rating: Type 3R



Color:  Red

UPC Code: 07847799087

Country of Origin: Please Contact Customer Service



Multi-way Connector – Male to Male

SPECIFICATION SUBMITTAL

JOB NAME: <input type="text"/>	CATALOG NUMBERS: <input type="text"/>	
JOB NUMBER: <input type="text"/>	<input type="text"/>	<input type="text"/>

Leviton Manufacturing Co., Inc.
201 North Service Road, Melville, NY 11747
Telephone: 1-800-323-8920 · FAX: 1-800-832-9538 · Tech Line (8:30AM-7:30PM E.S.T. Monday-Friday): 1-800-824-3005

Leviton Manufacturing of Canada, Ltd.
165 Hymus Boulevard, Pointe Claire, Quebec H9R 1E9 · Telephone: 1-800-469-7890 ·
FAX: 1-800-824-3005 · www.leviton.com/canada

Leviton S. de R.L. de C.V.
Lago Tana 43, Mexico DF, Mexico CP 11290 · Tel.: (+52)55-5082-1040 · FAX: (+52)5386-1797 · www.leviton.com.mx

Visit our Website at: www.leviton.com
© 2012-2013 Leviton Manufacturing Co., Inc. All rights reserved. Subject to change without notice.

Leviton has a global presence.
If you would like to know where your local Leviton office is located please go to: www.leviton.com/international/contacts/

