

Better Than Ever... Our Redesigned Pedestal-Type Fluorescent Lampholders

Slide-On Shallow Base for T-8 and T-12 Lamps
Now Available Shunted for Use with
Instant-Start Applications



Leviton's newly redesigned Pedestal-Type fluorescent lampholders simplify fixture design and increase options for OEMs. The Medium Bi-Pin and High Output 800MA and 1500MA Recessed Double Contact lampholders are molded out of high temperature, arc-resistant thermoplastic with a 94V-0 flammability rating. Adding a new dimension, the previously round plunger area has been reshaped into a rectangle, resulting in smoother travel during lamp insertion. Now available shunted for use with instant-start ballasts, the lampholders fit the same 20-ga. panel openings as previous Leviton models.



Applications:

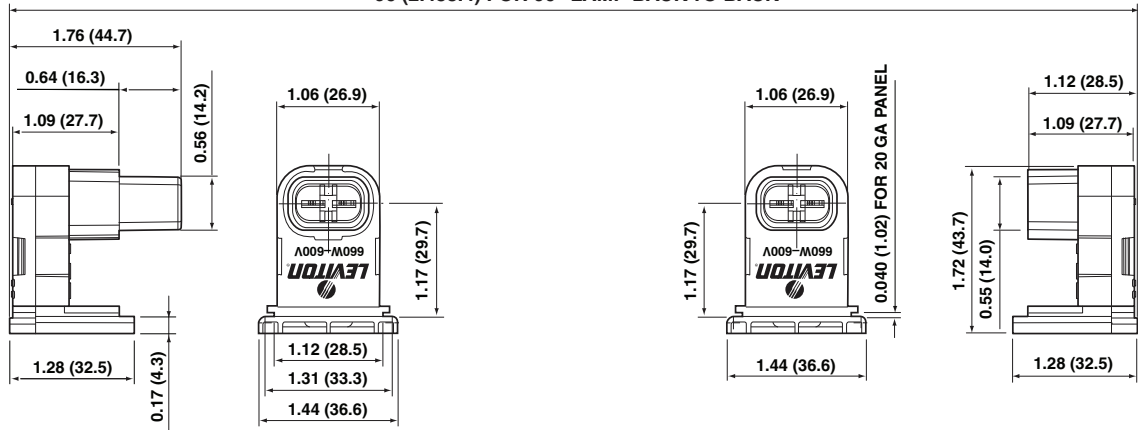
- Indoor lighting in commercial and industrial facilities
- Suitable for outdoor applications when properly enclosed

Features and Benefits:

- High temperature, arc-resistant thermoplastic with a 94V-0 flammability rating
- Rectangular plunger area provides smoother travel during lamp insertion
- Available shunted for use with instant-start applications
- Quickwire terminals accept No. 18 or No. 16 AWG solid wire, stripped 3/8" to 1/2"
- Silver-plated contacts
- Fits 20-ga. panel openings, same as previous Leviton models
- Meets proposed UL requirements for instant-start applications

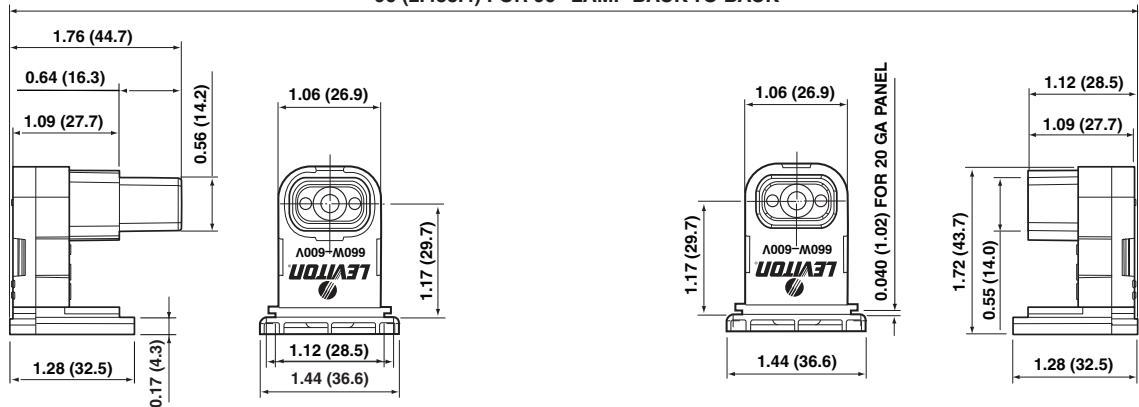
Dimensions

96 (2.438.4) FOR 96" LAMP BACK TO BACK



Cat. Nos.
13654-SWP,
23654-SWP

96 (2.438.4) FOR 96" LAMP BACK TO BACK



Cat. Nos.
13654-TWP,
23654-TWP

Ordering Information

Cat. No.	Description
13550-0NW (Replaces 13550-00W)	High Output Recessed Double Contact Fluorescent Pedestal Lampholder with slide-on, shallow base for T-8 and T-12 lamps (R17d base). Multiple terminal design accepts jumper leads on stationary end only; plunger style.
13551-0NW (Replaces 13551-00W)	High Output Recessed Double Contact Fluorescent Pedestal Lampholder with slide-on, shallow base for T-8 and T-12 lamps (R17d base). Multiple terminal design accepts jumper leads on stationary end only; stationary style.
23550-0NW	Same as 13550-0NW, except with internal shunt connection for use with instant-start ballasts. Back of lampholder is stamped "S" to identify shunt and help prevent improper applications, and "I" to show compliance with UL instant-start requirements.
23551-0NW	Same as 13551-0NW, except with internal shunt connection for use with instant-start ballasts. Back of lampholder is stamped "S" to identify shunt and help prevent improper applications, and "I" to show compliance with UL instant-start requirements.
13570-0NW (Replaces 13570-00W)	Medium Bi-Pin Fluorescent Pedestal Lampholder with slide-on, shallow base for T-8 and T-12 lamps (G13 base); plunger style.
13571-0NW (Replaces 13571-00W)	Medium Bi-Pin Fluorescent Pedestal Lampholder with slide-on, shallow base for T-8 and T-12 lamps (G13 base); stationary style.
23570-0NW	Same as 13570-0NW, except with internal shunt connection for use with instant-start ballasts. Back of lampholder is stamped "S" to identify shunt and help prevent improper applications, and "I" to show compliance with UL instant-start requirements.
23571-0NW	Same as 13571-0NW, except with internal shunt connection for use with instant-start ballasts. Back of lampholder is stamped "S" to identify shunt and help prevent improper applications, and "I" to show compliance with UL instant-start requirements.

Leviton Manufacturing Co., Inc.

201 N Service Rd, Melville, NY 11747
Telephone: 1-800-323-8920 • FAX: 1-800-832-9538
Tech Line (8:30AM-7:00PM E.S.T. Monday-Friday): 1-800-824-3005

Leviton Manufacturing of Canada, Ltd.

165 Hymus Blvd, Pointe-Claire, QC H9R 1E9
Telephone: 1-800-469-7890 • FAX: 1-800-563-1853

Leviton S. de R.L. de C.V.

Lago Tana 43, Col. Huichapan, Miguel Hidalgo, CP 11290 México DF
Tel. (+52) 55-5082-1040 • Fax: (+52) 55-5386-1797 • www.leviton.com.mx

Visit our Website at: www.leviton.com/oem

© 2010 Leviton Manufacturing Co., Inc. All rights reserved. Subject to change without notice.

Rating

660W-600V

