

26720-100

Lampholders

Item Description

GX23, GX23-2 Base, 2-Pin, Compact Fluorescent Lampholder, Horizontal, Snap-In, Black Color Code, , Quick-Connect 18AWG Solid or Str. Tinned - White Body



Technical Information

Electrical Specifications

Voltage: 600 Volt
Rated Wattage: 75W

Material Specifications

Body Material: Thermoplastic
Retainer Clip: Stainless Steel
Availability: Distribution

Mechanical Specifications

Mounting Type: Snap-In
Panel Thickness: .023 - .039
Color Code: Black
Body Style: Standard Body
Termination: Quick-Connect 18AWG Solid or Str. Tinned
Wire Strip Length: 3/8 Inch
Wiring Ports: 2
Color: White

Product Features

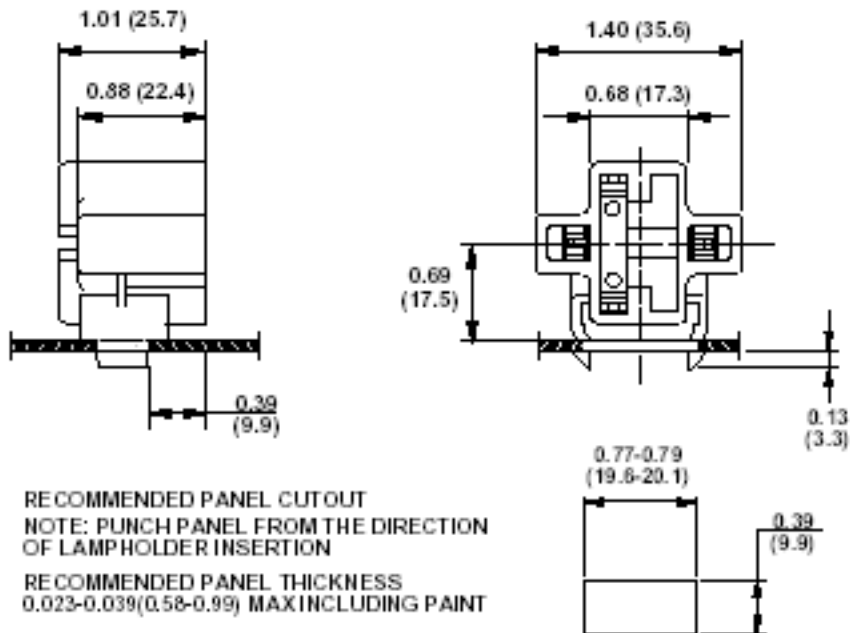
Lamp Base: GX23, GX23-2
Lamp Contacts: 2-Pin
Mounting Orientation: Horizontal
Mounting Type: Snap-In
Panel Thickness: .023 - .039
Color Code: Black
Termination: Quick-Connect 18AWG Solid or Str. Tinned
Rated Wattage: 75W
Standards and Certifications: UL/CSA/NOM
Warranty: 1 Year Limited
Availability: Distribution

Standards and Certifications

UL Listed: File E5833
CSA Certified: File LR-1863
NOM: 057

UPC Code: 07847794968

Country of Origin: Mexico - *Eligible for ARRA funded projects > \$7,443,000



Cat. No. 26720-100

SPECIFICATION SUBMITTAL

JOB NAME: <input type="text"/>	CATALOG NUMBERS: <input type="text"/>	
JOB NUMBER: <input type="text"/>	<input type="text"/>	<input type="text"/>

Leviton Manufacturing Co., Inc.
201 North Service Road, Melville, NY 11747
Telephone: 1-800-323-8920 · FAX: 1-800-832-9538 · Tech Line (8:30AM-7:30PM E.S.T. Monday-Friday): 1-800-824-3005

Leviton Manufacturing of Canada, Ltd.
165 Hymus Boulevard, Pointe Claire, Quebec H9R 1E9 · Telephone: 1-800-469-7890 ·
FAX: 1-800-824-3005 · www.leviton.com/canada

Leviton S. de R.L. de C.V.
Lago Tana 43, Mexico DF, Mexico CP 11290 · Tel.: (+52)55-5082-1040 · FAX: (+52)5386-1797 · www.leviton.com.mx

Visit our Website at: www.leviton.com
© 2012-2014 Leviton Manufacturing Co., Inc. All rights reserved. Subject to change without notice.



Leviton has a global presence.
If you would like to know where your local Leviton office is located please go to: www.leviton.com/international/contacts/

**Buy American Compliant Logo -- The American Recovery And Reinvestment Act of 2009 ("ARRA") provides federal grants and loans for projects throughout the country. Section 1605 of the Act, named the "Buy American" provision, requires that certain materials and manufactured products used in projects funded by the Act be manufactured in the United States. The appearance of the Recovery Act Logo in relation to a Leviton product is only intended to reflect that such product may be used in an ARRA funded project. It does not mean that such product or Leviton is sponsored or endorsed by, or that Leviton receives funds from, the federal government or the Recovery Accountability and Transparency Board. Nothing in Leviton's use of the logo is intended to suggest anything regarding the requirements for funding under ARRA.*