

Series 2000 Three Phase Meters

Sub-Metering Solutions for Accurate Measurement & Verification



Indoor



Outdoor

DEFINITION

The Leviton Series 2000 line of revenue-grade meters meets all measurement and verification-based opportunities - including load management and LEED rating achievement. Designed to provide a simple and effective process for accurately capturing measurements of power consumption, Series 2000 Meters are easy to specify and install for new construction and retrofits.

- 3-Phase, 4-Wire applications, 120/208V or 277/480V
- kWh and Demand (optional)
- Large LCD Display
- Isolated pulse output channel and RS485 Serial Port (ModBus RTU)
- 100A-1200A Services

Leviton meters utilize highly accurate current transformers for revenue-grade performance certified to ANSI standards. Competing products use current sensors that do not provide the same level of performance. Leviton offers CTs in solid and split core styles to accommodate all phases of installation and construction. Solid core CTs

are ideal for new construction, when power is not live and wires can easily be threaded through the core. Split core CTs can be installed at any time without having to disconnect wire terminations, making them the optimal choice for retrofitting an existing structure. Split core CTs close securely for fast, precise installation with no need for time-consuming tie wraps and no worries about improper seating or core half separation. Both solid and split core CTs offer high quality, long term accuracy and reliability.

Every Series 2000 Meter has an installer-friendly feedback feature. The red reverse phase indicator acts as an installation diagnostics tool and illuminates if a meter is improperly installed. After installation, the green duty cycle light shows that the meter is collecting electrical consumption data at the appropriate rate. All 100 and 200 Amp solid core CTs have color-coded labels to easily identify and correctly land the wires at the meter.

PRODUCT DATA

APPLICATIONS

Use Series 2000 Meters in commercial, institutional, industrial and government applications for:

- Load profiling and benchmarking
- AMR/BAS/BMS/EMS integration
- Usage aggregation
- Tenant cost allocation
- Measurement and verification
- Energy conservation and cost reduction
- Green building initiatives and Government mandates

FEATURES

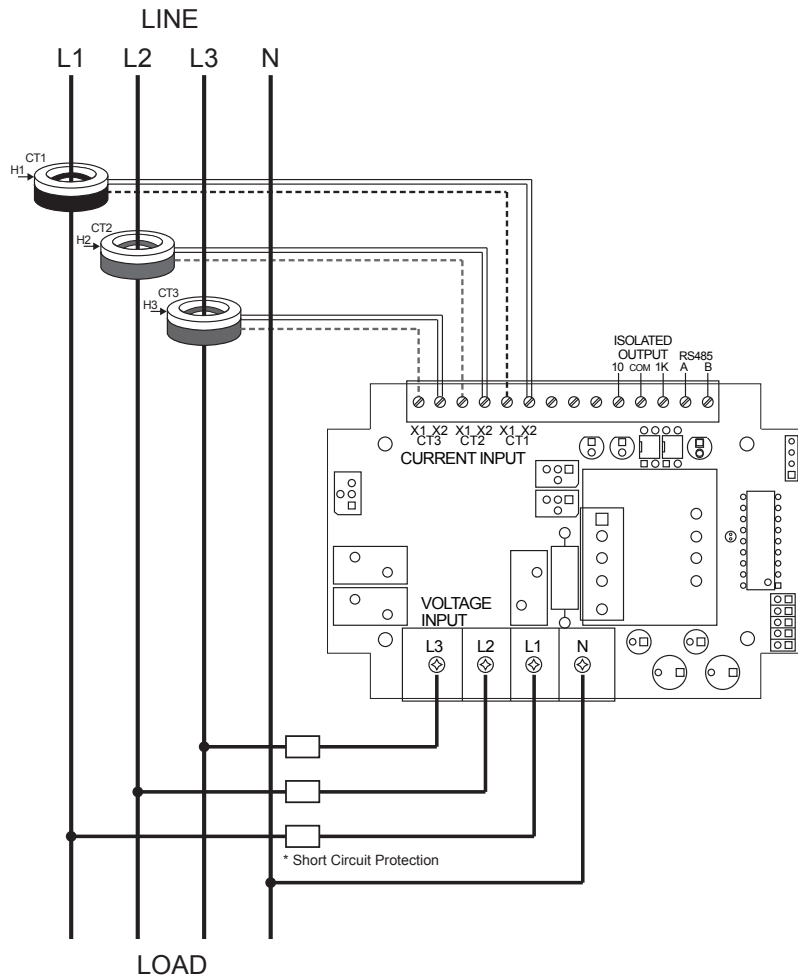
- Measures kWh and demand (optional)
- Conform to all applicable standards of ANSI C12.1
- Equipped with an Isolated Pulse Output channel and a Modbus RTU standard for easy AMR/BAS/BMS/EMS interface
- Utilizes revenue grade 0.3% accuracy class 0.1A secondary solid core current transformers (CTs) that conform to all applicable ANSI requirements or 1.0% accuracy split-core CTs
- Up to three sets of CTs per phase can be paralleled per meter without the need for a meter multiplier
- Enclosures include surface mount industrial grade JIC steel indoor and NEMA 4X outdoor
- Interfaces with numerous communication systems - Hardwired Automatic Meter Reading (AMR) or wireless AMR
- Large LCD display shows kWh and instantaneous and peak demand (optionally) with manual keyed reset
- Load Indicator LED verifies meter functionality
- Reverse Phase Indicator LED illuminates if the meter is improperly installed
- UL/cUL Listed for UL 916 Energy Monitoring Equipment
- Ten year warranty

CONFIGURATIONS*

AMPERAGES	PHASE/VOLTAGES
100-1200A	3Ø/4W - 120/208/240V
100-1200A	3Ø/4W - 277/480V

* Contact factory for non-US voltage configurations.

THREE ELEMENT SERIES 2000 HOOKUP DIAGRAM



Leviton recommends solid core transformers (CTs) for revenue-grade accuracy. Our 100A and 200A color coded CTs assist with correct installation by indicating phase monitored. Split core CTs are also available upon request for applications where power cannot be interrupted during installation. Our 100-1,200 Amp Split Core CTs offer +/-1.0% accuracy.

PRODUCT DATA



ORDERING INFORMATION

Series 2000 Three Phase Meters

NOTE: Current Transformers (CTs) sold separately - see Current Transformers product data sheet for ordering information

CAT. NO.*	DESCRIPTION
INDOOR THREE ELEMENT METER, 3PH 4W	
2N208-xxx	120/208V
2N480-xxx	277/480V
OUTDOOR THREE ELEMENT METER, 3PH 4W	
2R208-xxx	120/208V
2R480-xxx	277/480V

* When ordering a Series 2000 Meter, replace xxx with the following to indicate amperage ratings:

- 011: 100:0.1A, Max 100A
- 021: 200:0.1A, Max 200A
- 041: 400:0.1A, Max 400A
- 081: 800:0.1A, Max 800A
- 121: 1200:0.1A, Max 1200A
- Demand Option (for indoor models only): replace the last digit in the suffix with a "D"

Series 2000 Three Phase Meter Kits

NOTE: Current Transformers (CTs) included

CAT. NO.*	DESCRIPTION
INDOOR THREE ELEMENT METER, 3PH 4W, 120/208V, with 3 CTs each	
2N208-T11	100A; CTs included (CTD01-K16) - 100:0.1A, Split Core .75" x .75"
2N208-T21	200A; CTs included (CTD02-K16) - 200:0.1A, Split Core 1" x 1"
2N208-T41	400A; CTs included (CTD04-K23) - 400:0.1A, Split Core 1.4 x 1.4"
INDOOR THREE ELEMENT METER, 3PH 4W, 277/480V, with 3 CTs each	
2N480-T11	100A; CTs included (CTD01-K16) - 100:0.1A, Split Core .75" x .75"
2N480-T21	200A; CTs included (CTD02-K16) - 200:0.1A, Split Core 1" x 1"
2N480-T41	400A; CTs included (CTD04-K23) - 400:0.1A, Split Core 1.4 x 1.4"

* Demand Option (for indoor kits only): replace the last digit in the suffix with a "D"

The following products are also part of the Leviton line of integrated metering solutions:

- Series 1000 Meters
- Series 3000 Smart Meters
- Mini Meters
- Multiple Meter Units (MMUs)
- Current Transformers (CTs)
- Energy Manager Monitoring Software

LEVITON SPECIFICATION SUBMITTAL

JOB NAME:	CATALOG NUMBERS:
JOB NUMBER:	

Leviton Manufacturing Co., Inc. Lighting & Energy Solutions

20497 SW Teton Avenue, Tualatin, OR 97062
Telephone: 1-800-736-6682 • FAX: 503-404-5594 • Tech Line (6:00AM-4:00PM P.S.T. Monday-Friday): 1-800-959-6004

Leviton Manufacturing of Canada, Ltd.

165 Hymus Boulevard, Pointe Claire, Quebec H9R 1E9 • Telephone: 1-800-469-7890 • FAX: 1-800-563-1853

Leviton S. de R.L. de C.V.

Lago Tana 43, Mexico DF, Mexico CP 11290 • Tel. (+52) 55-5082-1040 • FAX: (+52) 5386-1797 • www.leviton.com.mx

Visit our Website at: www.leviton.com/les

© 2011 Leviton Manufacturing Co., Inc. All rights reserved. Subject to change without notice.

G-8509D/H11-tb
REV AUG 2011

Series 2000 Three Phase Meters