

# 3059-1E



## Brand Features

Leviton's line of temporary power solutions now includes industrial grade portable outlet boxes with cover plates and weather resistant flip lids. For applications ranging from industrial and processing plants to construction and maintenance to entertainment and theater, these durable devices will help to deliver the power you need, where you need it. Constructed of high-performance TPV, these boxes maintain their integrity in most any temperature, are extremely resistant to harsh chemicals and exhibit excellent strength and resistance to fatigue. They are available in single and two-gang sizes, both feed-thru and pendant style. Plus, you can choose either high-visibility yellow (for most industrial and commercial applications) or black (for entertainment applications). Coverplates and Flip lids are available in many common configurations.

## Item Description

Portable Outlet Box, Sing-Gang, Standard Depth, Pendant Style, Cable Diameter (0.230" - 0.546") - BLACK

## Technical Information

### Environmental Specifications

**Flammability:** V-2 (Strain Relief), V-0 (Box)

**Operating Temperature:** -20C to 100C

### Material Specifications

**Box Material:** Santoprene™ TPV

**Screw Inserts:** Nylon

**Strain Relief:** Nylon

**Locking Nut:** Steel

Color:  Black

UPC Code: 07847741514

### Product Features

**Color:** Black

### Standards and Certifications

**UL Listed:** 514C

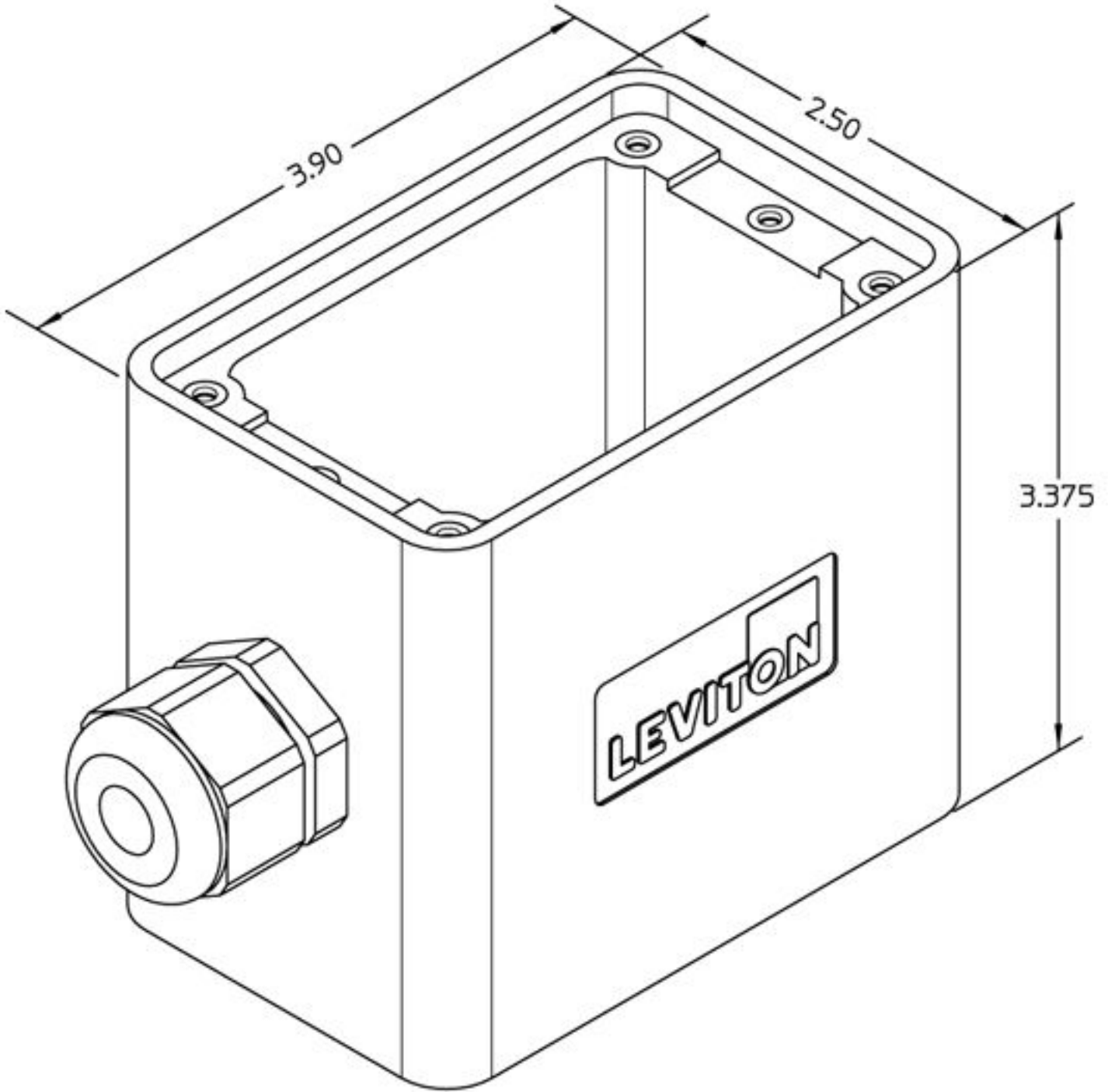
**RoHS:** Compliant

Country of Origin: United States - *\*Eligible for ARRA funded projects*



*\*May include one or more globally sourced components.*





SPECIFICATION SUBMITTAL

JOB NAME:	CATALOG NUMBERS:	
<input type="text"/>	<input type="text"/>	<input type="text"/>
JOB NUMBER:	<input type="text"/>	<input type="text"/>

**Leviton Manufacturing Co., Inc.**

201 North Service Road, Melville, NY 11747

Telephone: 1-800-323-8920 · FAX: 1-800-832-9538 · Tech Line (8:30AM-7:30PM E.S.T. Monday-Friday): 1-800-824-3005

**Leviton Manufacturing of Canada, Ltd.**

165 Hymus Boulevard, Pointe Claire, Quebec H9R 1E9 · Telephone: 1-800-469-7890 ·

FAX: 1-800-824-3005 · [www.leviton.com/canada](http://www.leviton.com/canada)

**Leviton S. de R.L. de C.V.**

Lago Tana 43, Mexico DF, Mexico CP 11290 · Tel.: (+52)55-5082-1040 · FAX: (+52)5386-1797 · [www.leviton.com.mx](http://www.leviton.com.mx)

**Visit our Website at: [www.leviton.com](http://www.leviton.com)**

© 2012-2013 Leviton Manufacturing Co., Inc. All rights reserved. Subject to change without notice.



**Leviton has a global presence.**

If you would like to know where your local Leviton office is located please go to: [www.leviton.com/international/contacts/](http://www.leviton.com/international/contacts/)

*\*Buy American Compliant Logo -- The American Recovery And Reinvestment Act of 2009 ("ARRA") provides federal grants and loans for projects throughout the country. Section 1605 of the Act, named the "Buy American" provision, requires that certain materials and manufactured products used in projects funded by the Act be manufactured in the United States. The appearance of the Recovery Act Logo in relation to a Leviton product is only intended to reflect that such product may be used in an ARRA funded project. It does not mean that such product or Leviton is sponsored or endorsed by, or that Leviton receives funds from, the federal government or the Recovery Accountability and Transparency Board. Nothing in Leviton's use of the logo is intended to suggest anything regarding the requirements for funding under ARRA.*