

Multimedia Outlet System (MOS) HD-15

APPLICATION

Leviton's HD-15 Screw Terminal for the Multimedia Outlet System (MOS) is an analog connector used for video signal transmissions. All MOS inserts snap into MOS wallplates and surface-mount housings. Offered in both screw terminal and feed-through.

FEATURES

- Mounts into Leviton Multimedia Outlet System (MOS) housings
- Screw terminal connection for a "solderless" install
- Adapter insert accepts all existing QuickPort simplex snap-in connectors, fiber and coaxial bulkhead modules
- Inserts into housings from the front

STANDARDS COMPLIANCE

UL 1803
UL1863
UL 94V-0

PHYSICAL SPECIFICATIONS

Dimensions: See page 2
Material: Fire retardant plastic rated at UL 94V-0

DESIGN CONSIDERATIONS

- Used with video cables comprised of (3) coax (R,G,B), (4) UTP, (2) conductor lines for horizontal and vertical sync, and (1) draw
- Allow enough room for cable slack and tight bend radius
- Not for use in telcom circuits

WARRANTY INFORMATION

For a copy of Leviton product warranties, visit www.leviton.com

TYPICAL SPECIFICATION

The outlet connector inserts shall comply with TIA/EIA-568-B requirements. They shall be made of fire-retardant plastic rated UL 94V-0. Inserts must be capable of interchangeable mounting between various multimedia surface and flush-mount outlets. Inserts shall be capable of maintaining a minimum bend radius with the area of minimum NEMA box enclosures.

ELECTRONIC FILES

For CAD files, Typical Specs, or Dimensional Line Art (.DXF, .DWG, MS-DOS.eps or .TXT), visit www.leviton.com.



VGA Pinout Table		
PIN	Signal	Wire
1	Red	Coax CC
2	Green	Coax CC
3	Blue	Coax CC
4	ID BIT 2	TP 1
5	Ground	TP 1
6	Red Shield	Coax Shield
7	Green Shield	Coax Shield
8	Blue Shield	Coax Shield
9	DDV +5V	Cond 1
10	Sync Rtn	TP 3/4
11	ID BIT 0	TP 2
12	ID BIT 1	TP 2
13	Horz Sync	Cond 2
14	Ver Sync	TP 3
15	ID BIT 3	TP 4
16	Shell	Drain Wire

Multimedia Outlet System (MOS) HD-15



For Technical Support Call 1-425-485-4288; in USA call 1-800-824-3005.
Spec sheets and updates are also available at www.leviton.com.

2222 - 222nd St. SE • Bothell, WA 98021 USA
Tel: 1-800-722-2082 / 1-425-485-4288 • Fax: 1-425-483-5270 • Int'l Fax: 1-425-485-9170 • GSA Schedule Available.

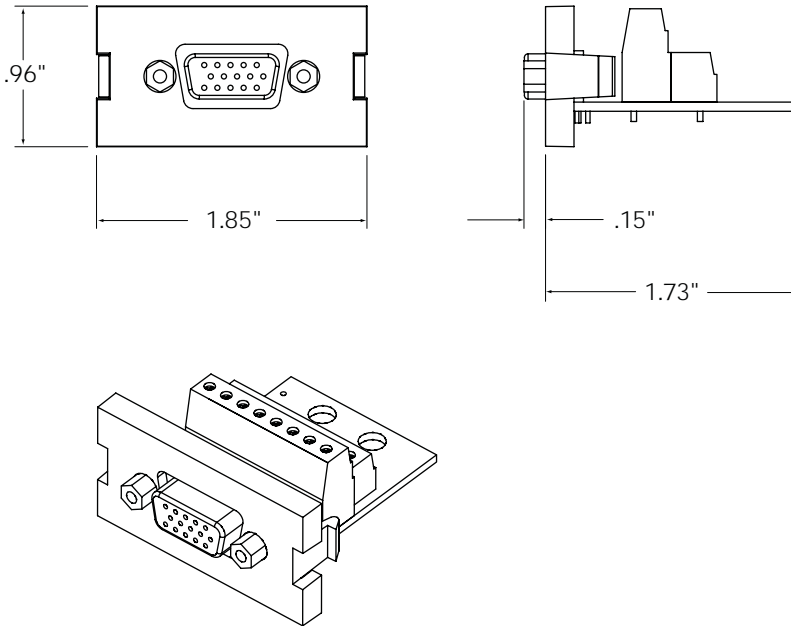


Multimedia Outlet System (MOS) HD-15

Part Numbers
41293-HDx
41295-HDx
.....

DIMENSIONAL LINE ART

For Dimensional Line Art (.DXF, .DWG, MS-DOS.eps or .TXT),
log on to www.leviton.com.



PART NUMBERS

Description	Part No.
MOS HD-15 Insert Module, female-to-female	41293-HDx
MOS HD-15 Screw Terminal	41295-HDx

41293 Colors: Light Almond (T), Ivory (I), White (W), Grey (G), or Black (E)
41295 Colors: Ivory (I), White (W)



For Technical Support Call 1-425-485-4288; in USA call 1-800-824-3005.
Spec sheets and updates are also available at www.leviton.com.



2222 - 222nd St. SE • Bothell, WA 98021 USA • Tel: 1-800-722-2082 / 1-425-485-4288 • Fax: 1-425-483-5270 • Int'l Fax: 1-425-485-9170 • GSA Schedule Available.